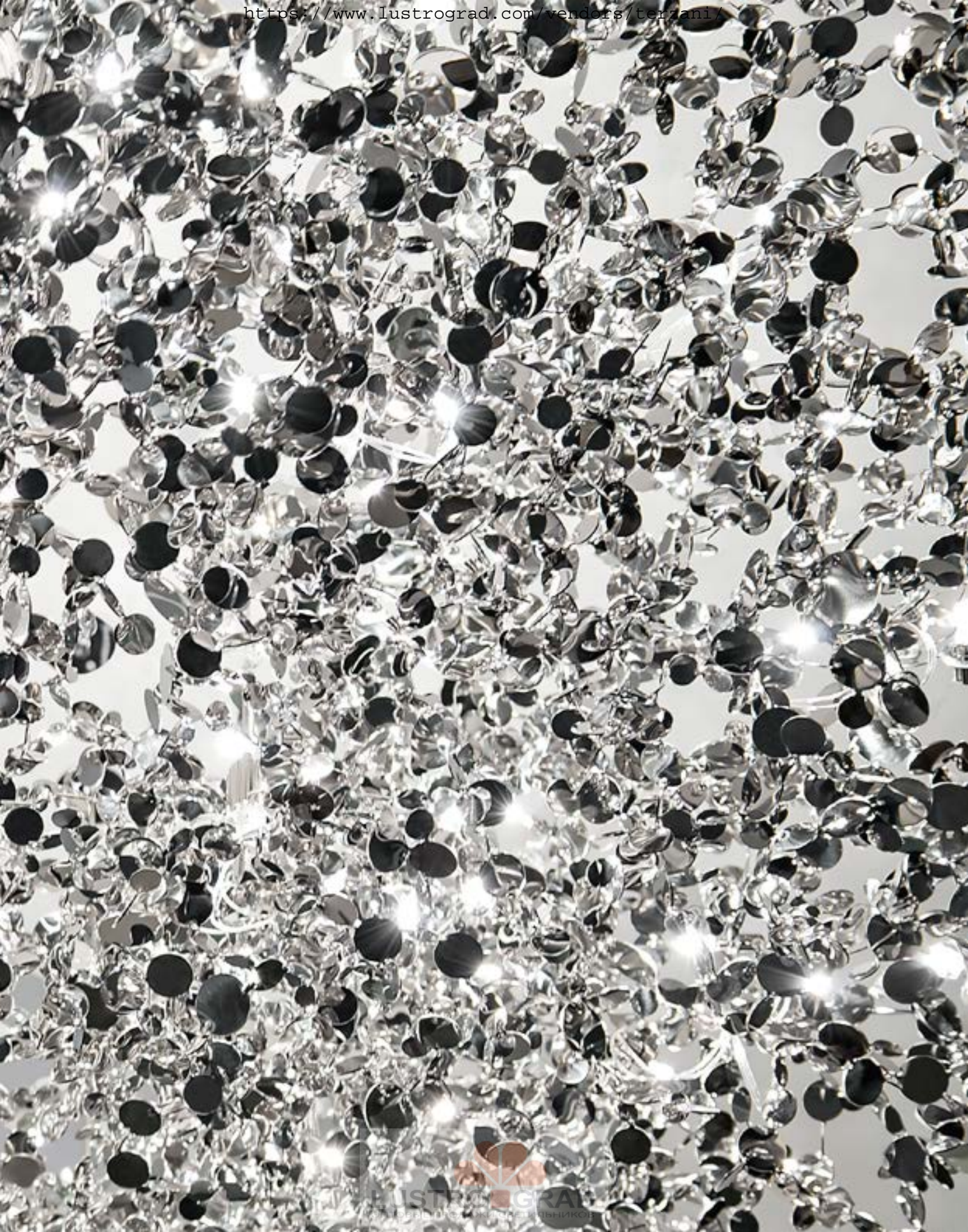


Precious De- sign Precious Design Pre- cious Design

TERZANI
LA LUCE PENSATA



PreciousDesign '016



Index

164	Angel Falls
036	Anish
048	Argent
120	Atlantis
238	Bobino
200	Bond
058	Calle
102	Core
020	Doodle
094	Etoile
084	Frame
216	Glamour
174	G.r.a
234	Hook
246	Hugo
170	Iceberg
068	I Lucci Argentati
210	Magdalena
008	Mizu
182	Orten'zia
150	Sea Urchin
080	Shar Pei
144	Soscik
134	Stream
158	Tresor
230	Untitled
110	Volver
226	Wabi
242	Zig-Zag

Terzani's Precious Design Concept is luxury evolved. Each piece in this new lighting collection breaks the staid boundaries of traditional luxury, and incorporates stunningly modern design, cutting-edge technology, artisan craftsmanship and precious materials. The result are sculptures of light whose illumination transforms spaces through dynamic lighting and shadow effects. They create a new visual language of what luxury is, one that reflects both today's aesthetics, architecture and design traditions yet also pushes towards the future.

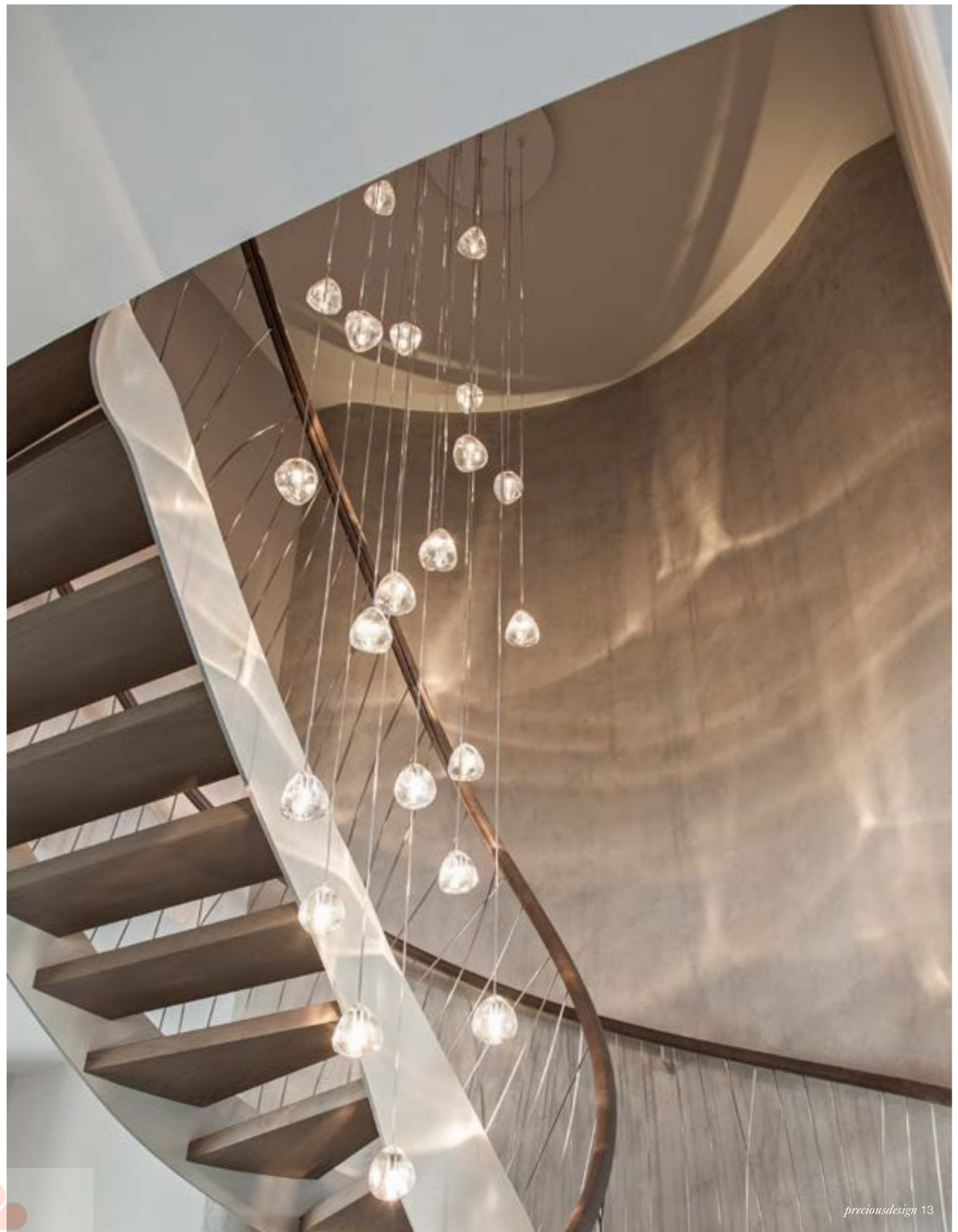
Precious Design

Mizu, Flowing *Light.*

Inspired by the tranquil and mesmerizing light refractions created by water, Mizu is customizable pendant light from Terzani. Like water droplets, no two Mizu are alike, each crystal shape is unique and made meticulously by hand. Using only the clearest crystal (24% lead), Mizu perfectly emulates water's refraction of light, causing amazing patterns around the room, reminiscent of flowing water. Also available in gold leaf and silver dust. Design Nicolas Terzani.

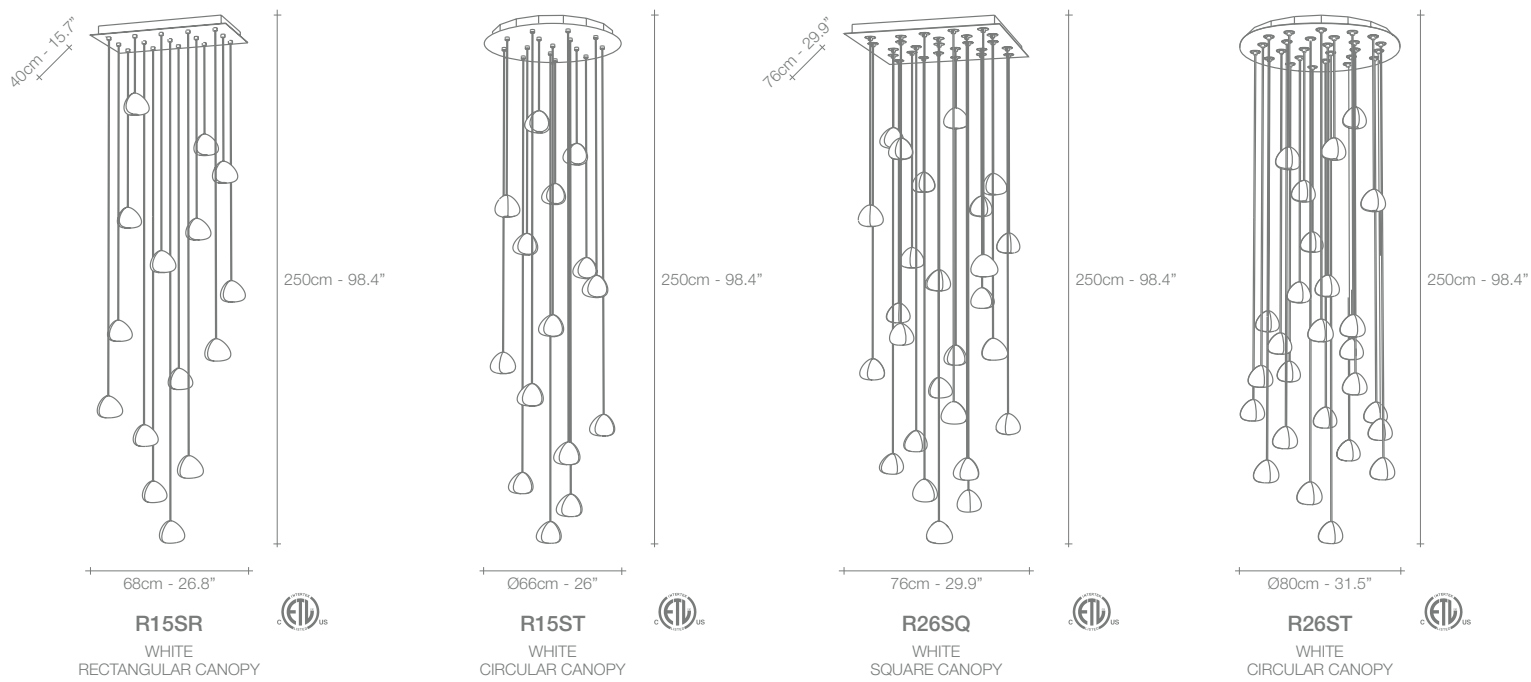
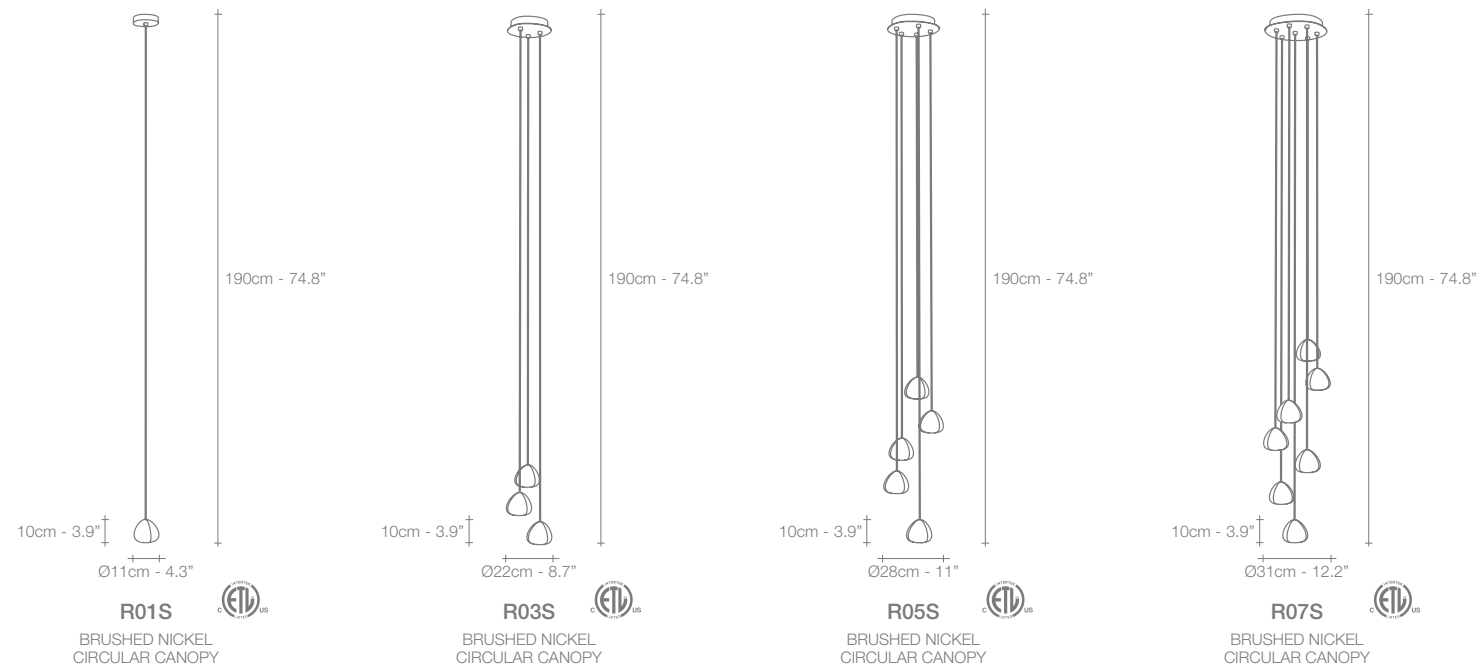








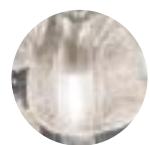




CRYSTAL



GOLD CRYSTAL



SILVER DUST CRYSTAL

	R01S	R03S	R05S	R07S	R15SR	R15ST	R26SQ	R26ST
230V HALOGEN 12V G4	10W	3X10W	5X10W	7X10W	15X10W	15X10W	26X10W	26X10W
120V XENON BI-PIN 12V T3 G4	10W	3X10W	5X10W	7X10W	15X10W	15X10W	26X10W	26X10W

MIZU CAN BE
MANUFACTURED TO WORK
WITH BI-PIN LED LIGHT
SOURCE ON REQUEST



Doodle, Freehand *Design.*



We no longer march in a straight line. Our lives are dynamic, intertwining collections of relationships, experiences and journeys. Reflecting the fluidity of our generation, designer Simone Micheli has created a new, contemporary light for Terzani, Doodle. Like us, each Doodle is unique, each pendant is handcrafted by artisans to resemble a randomised path. And, to give us control over the journey we want to take, each LED bulb can be placed anywhere on the light, not only reflecting the choices we make in life, but giving Doodle a special flexibility. Design Simone Micheli.



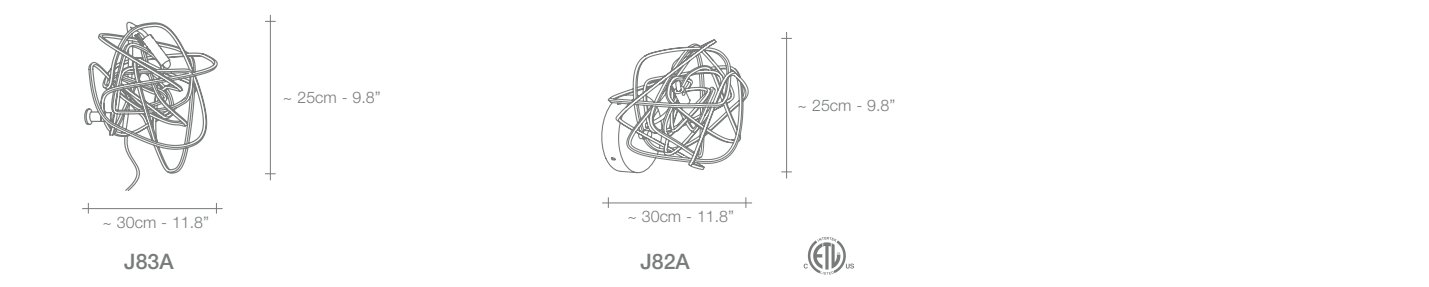
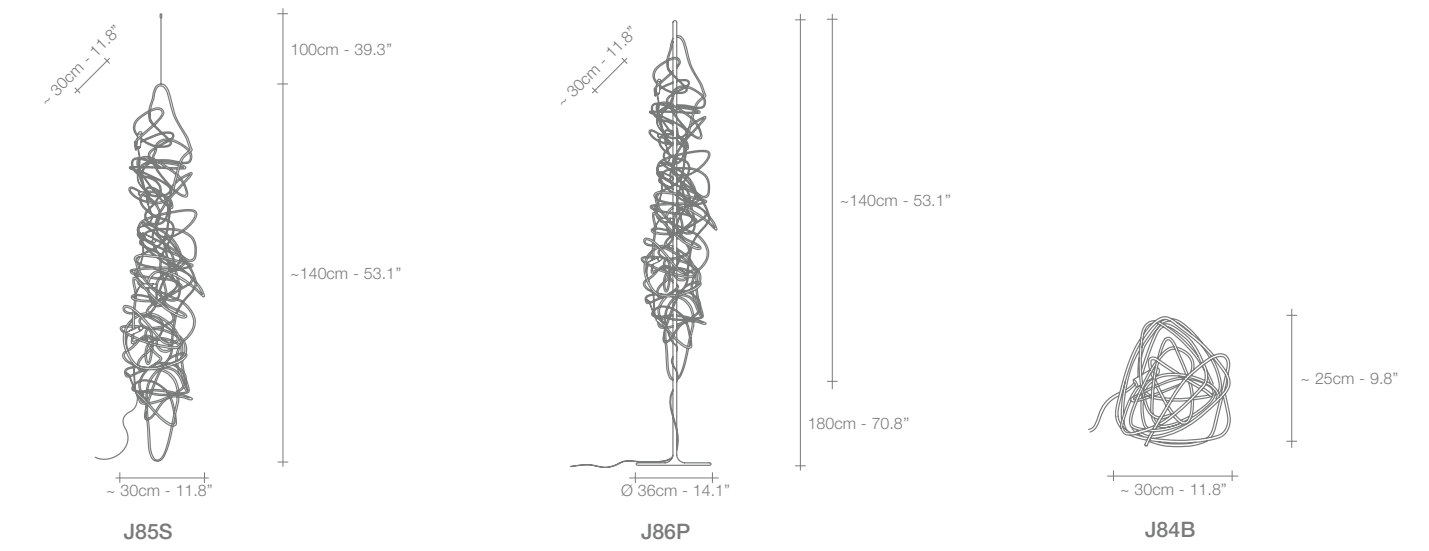
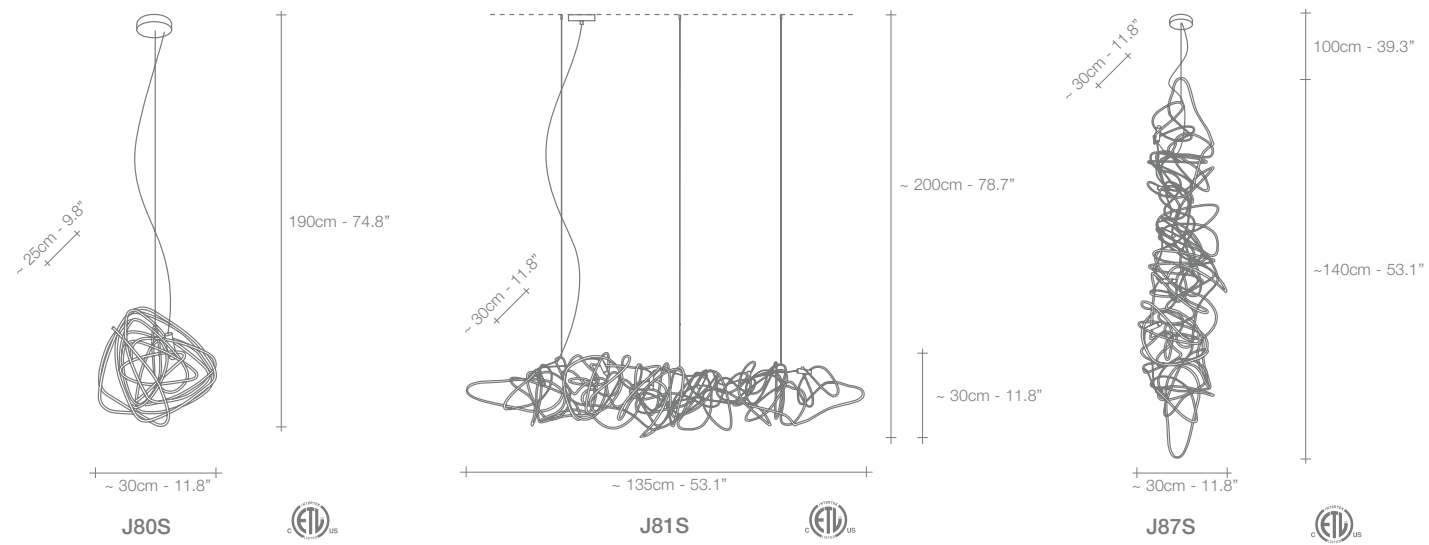












230V / 120V 	J80S	J81S	J82A	J83A	J84B	J85S	J86P	J87S
	LED PHILIPS G4	LED PHILIPS G4	LED PHILIPS G4	LED PHILIPS G4	LED PHILIPS G4	LED PHILIPS G4	LED PHILIPS G4	LED PHILIPS G4
	CAPSULE LINE	CAPSULE LINE	CAPSULE LINE	CAPSULE LINE	CAPSULE LINE	CAPSULE LINE	CAPSULE LINE	CAPSULE LINE
	COD. LED1WG427	COD. LED1WG427	COD. LED1WG427	COD. LED1WG427	COD. LED1WG427	COD. LED1WG427	COD. LED1WG427	COD. LED1WG427
	1.2W G4 (=10W)	6x1.2W G4 (=10W)	1.2W G4 (=10W)	1.2W G4 (=10W)	1.2W G4 (=10W)	6x1.2W G4 (=10W)	6x1.2W G4 (=10W)	6x1.2W G4 (=10W)



Anish, Playing *Spoons.*

A playful study of reflection, the idea for Anish was born when designer Dodo Arslan, while playing with his daughter, became fascinated by the almost infinite reflections spoons unleashed due to their concave and convex surfaces. Taking this idea to a larger scale, Dodo took inspiration from Italian flatware manufacturer Sambonet and created a pendant composed of a range of spoons from the smallest teaspoon to serving spoons which magnifies the reflective quality of this shape. The result is an installation that creates a "galaxy" effect of seemingly endless light. Design Dodo Arslan.

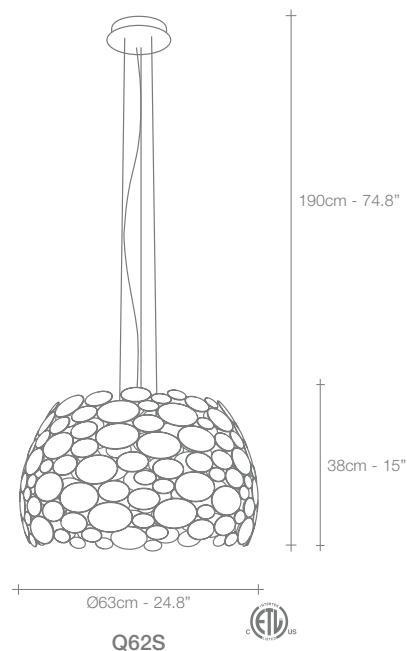




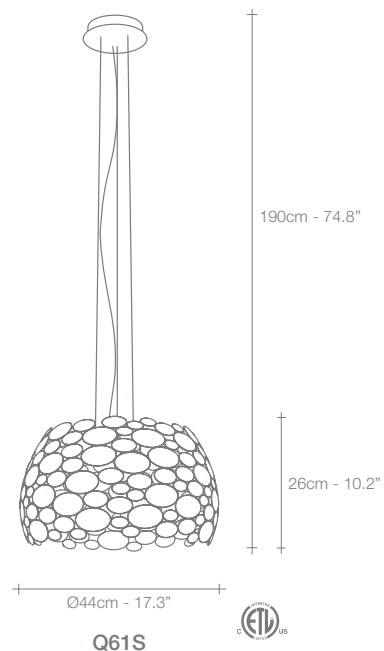




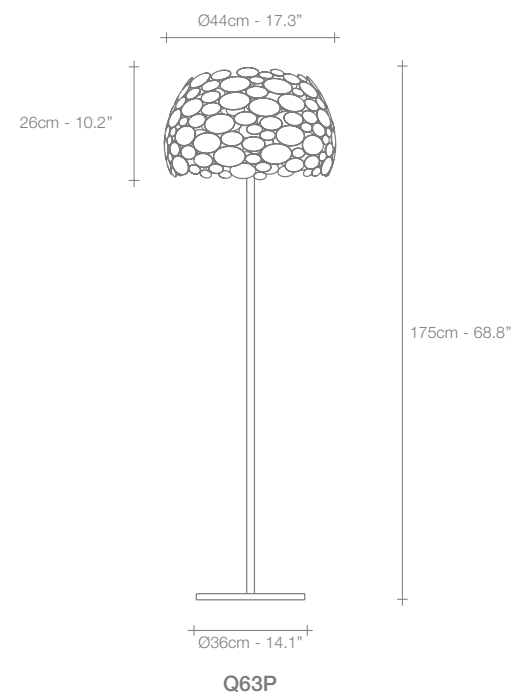




Q62S



Q61S



Q63P



NICKEL



GOLD LEAF

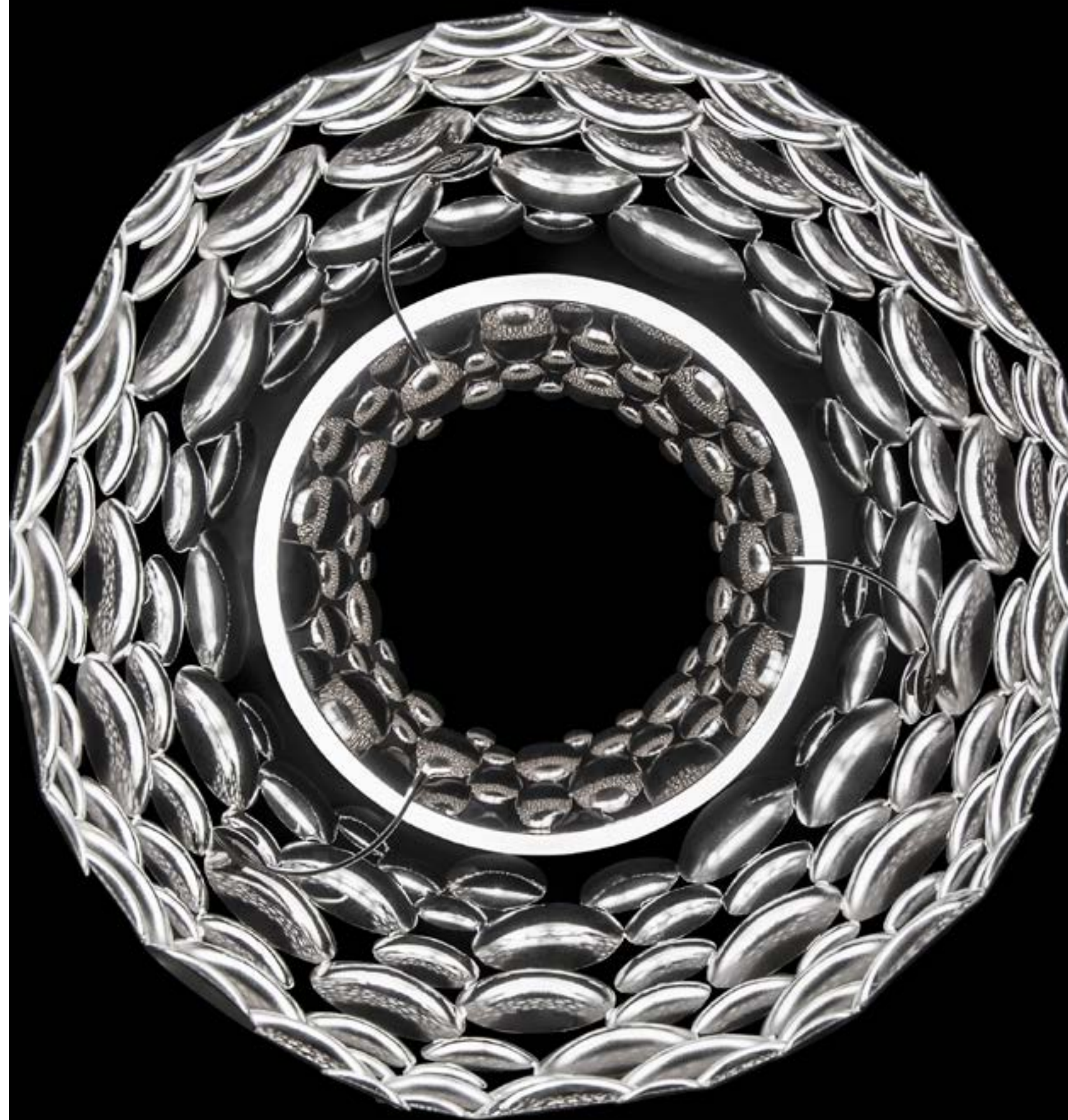


COPPER LEAF

230V / 120V

	Q61S	Q62S	Q63P
LED BOARD			
3000 K			
CRI 90	6X4.5W	6X4.5W	6X4.5W

2700K - CRI 90
LED BOARD
AVAILABLE ON
REQUEST



Argent, a Silver *Cloud.*

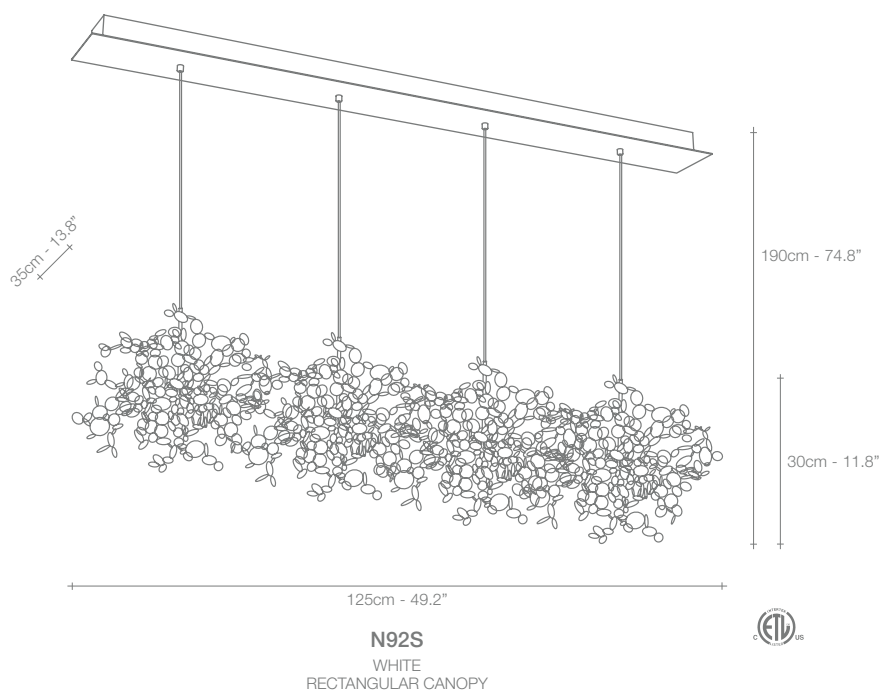
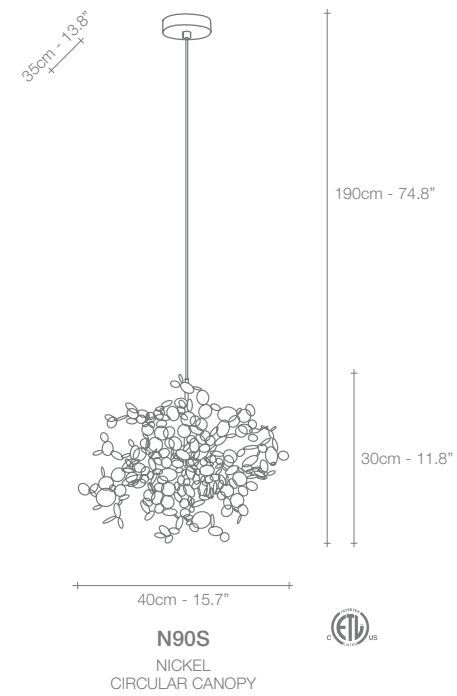
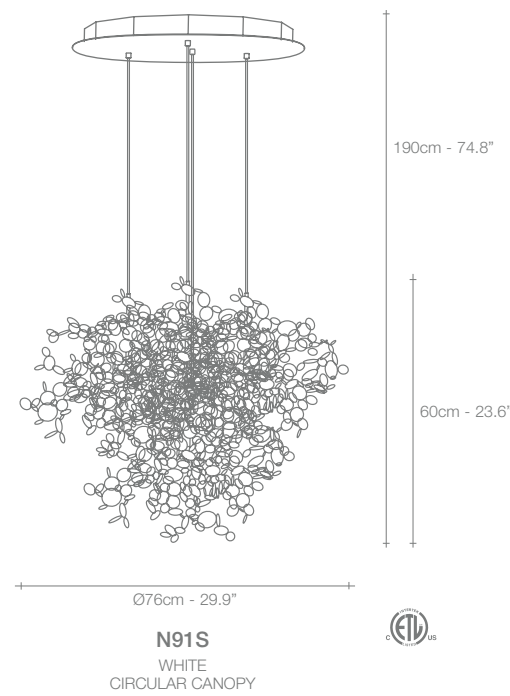


With this suspension light, designer Dodo Arslan creates a shimmering, silver cloud. Argent consists of metal discs that have been meticulously joined by hand by Terzani craftsmen into clusters. Once lit, the multiple, angled surfaces of the discs emanate a soft, shimmering, white glow. Design Dodo Arslan.









	N90S	N91S	N92S
230V	HALOGEN 12V G4	3X20W	12X20W
120V	XENON BI-PIN 12V T3 G4	3X20W	12X20W

ARGENT CAN BE
MANUFACTURED TO WORK
WITH BI-PIN LED LIGHT
SOURCE ON REQUEST



Calle, Perennial *Elegance.*

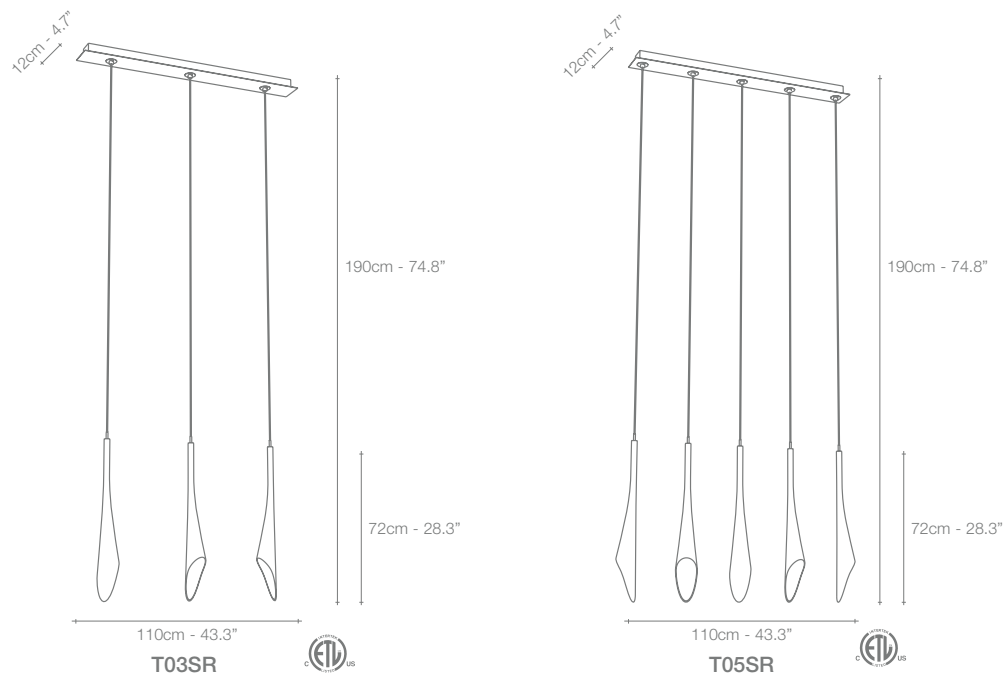
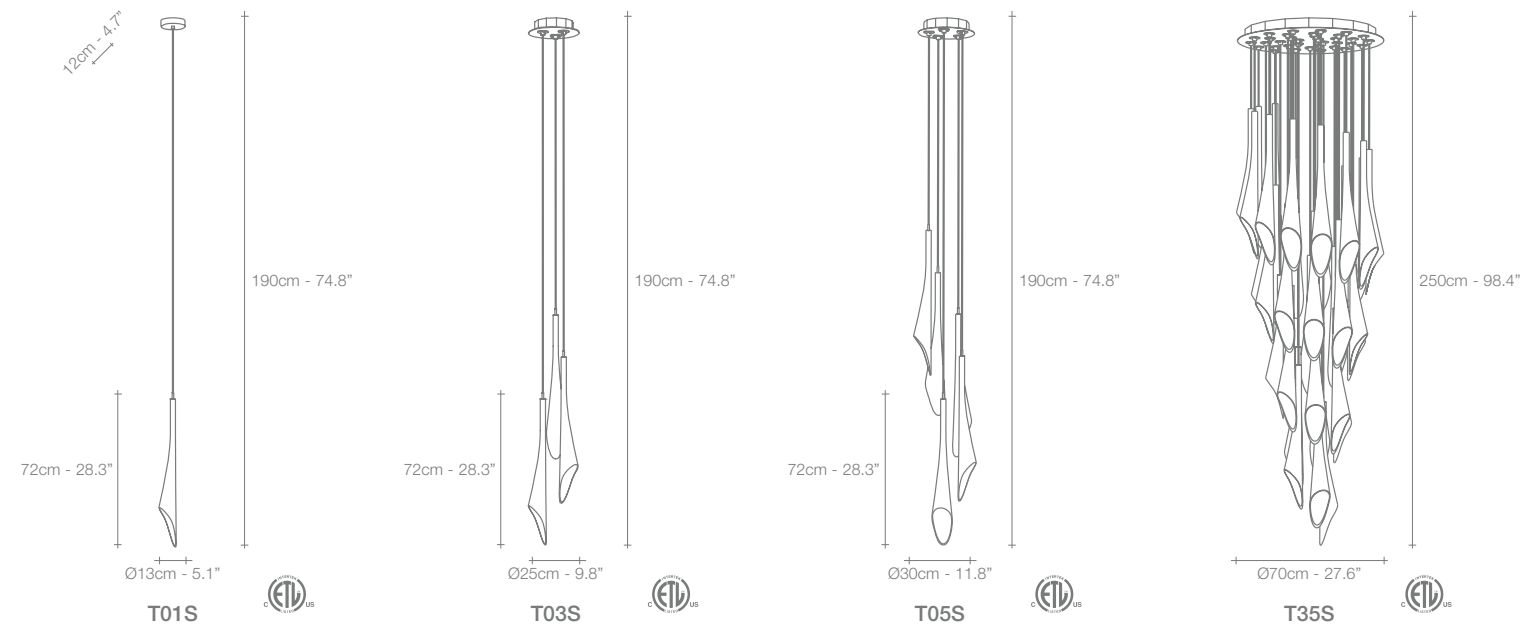
At Terzani, we spend countless days searching the globe for talented new designers, but sometimes they find us. Such is the case with the young designers Luca Martorano and Mattia Albicini who approached us with the design for Calle, a fantastic a new light we instantly fell in love with. It showcases our skill at crafting crystal to take the material to an exciting, modern place. Luca and Mattia worked with our craftsmen to create a slender inverted flute of 24% lead crystal that, like the calla lily it mimics, can be grouped into stunning bouquets of light. Design Luca Martorano and Mattia Albicini.











WHITE CRYSTAL

	T01S	T03S	T05S	T35S	T03SR	T05SR
230V	HALOGEN 12V G4	20W	3X20W	5X20W	35X10W	3X20W
120V	XENON BI-PIN 12V T3 G4	20W	3X20W	5X20W	35X10W	3X20W

CALLE CAN BE
MANUFACTURED TO WORK
WITH BI-PIN LED LIGHT
SOURCE ON REQUEST



I Lucci Argentati, School of *Light.*

I Lucci Argentati draws from nature to create a whimsical, yet modern light. Recalling a school of fish darting through freshwater, it creates a mesmerizing luminescence. Sets of sleek lights combine to form a stunning pendant with thin incisions along the bottom creating an understated, tranquil beauty. Thanks to its modular system, I Lucci Argentati is customizable and can be combined in many different configurations: from small to extra large; as a pendant or sconce; and finished either in brushed nickel or white. Design Dodo Arslan.

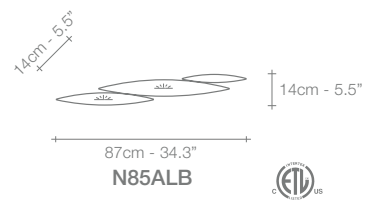
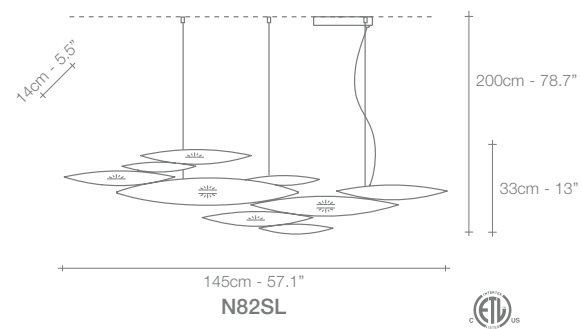
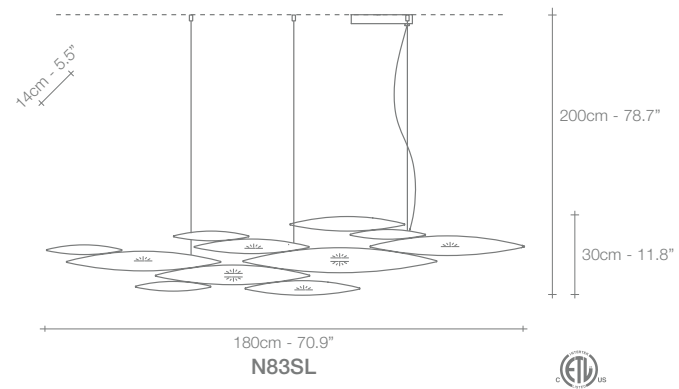
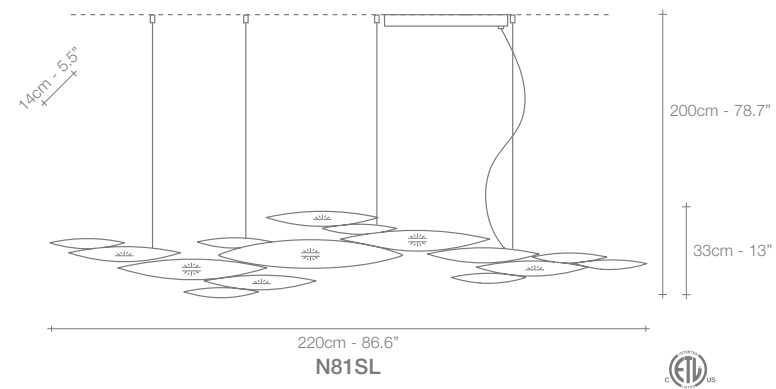
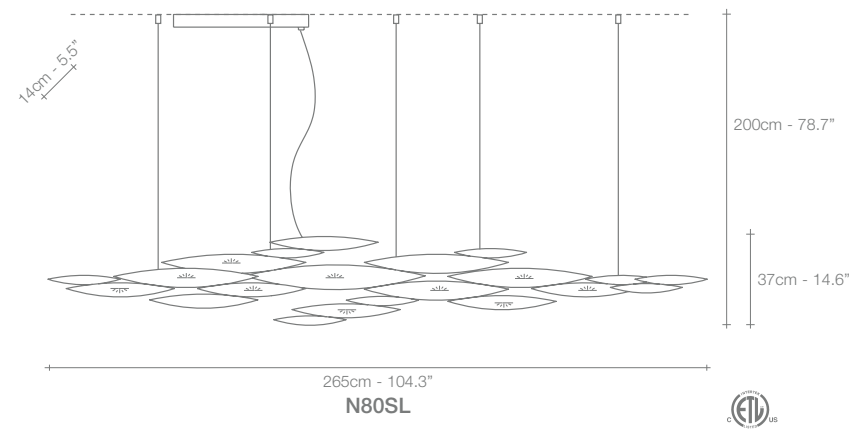












BRUSHED
NICKEL



WHITE

230V / 120V

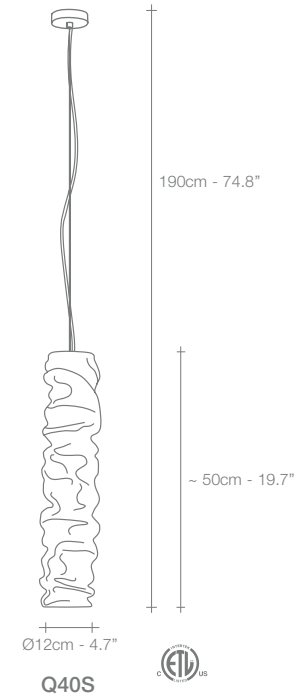
	N80SL	N81SL	N82SL	N83SL	N85ALB
LED BOARD					
3000 K					
CRI 90	10X4.5W	10X4.5W	7X4.5W	8X4.5W	2X4.5W

2700K - CRI 90
LED BOARD
AVAILABLE ON
REQUEST

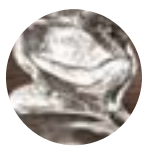
Shar Pei, Lighthearted *Luxury.*

Shar Pei, employs sheaths of "wrinkled" crystal that take their cues from shar pei puppies. The "cute factor" is replaced by a stunning and elegant display created by the projection of light through the undulating 24% lead crystal. These lights can also be grouped together to create a "pack" of lights. Design Luca Martorano + Mattia Albicini.





Q40S



CLEAR



Q40S

230V

HALOGEN
12V GY 6.35 35W
(=40W)



120V

XENON BI-PIN
12V T3 GY 6.35 35W



Frame, Nature's *Imprint.*

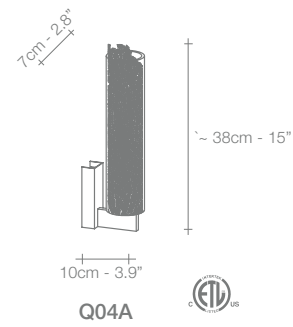
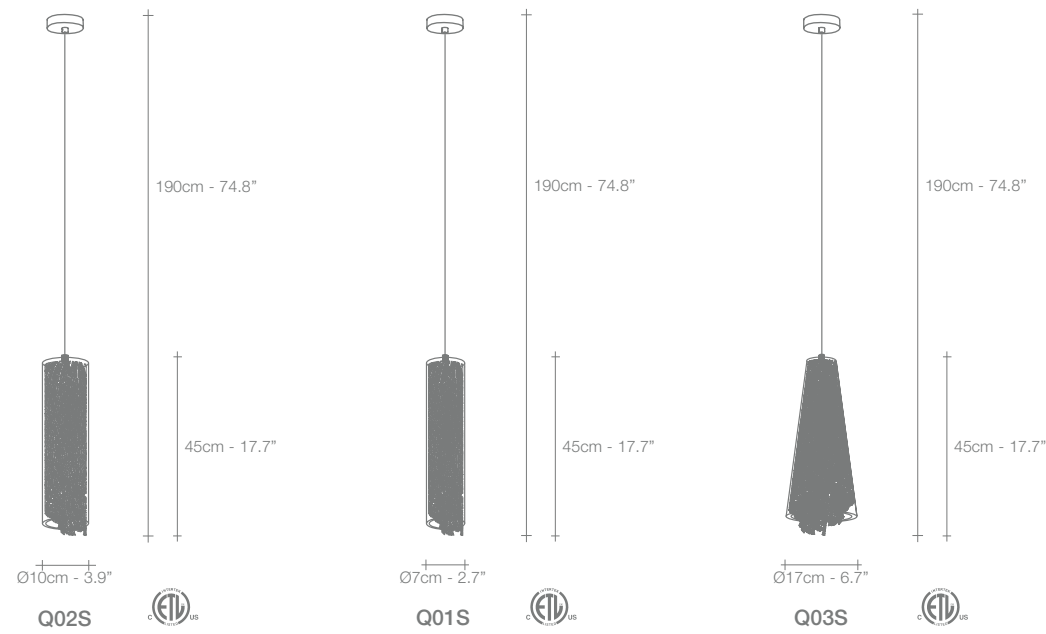
Capturing a moment in time, Frame features a metal coral leaf, enclosed inside a borosilicate glass preserving a delicate imprint of nature. Hidden inside is a single bulb which glows from within. Creating a stirring light that projects a dynamic shadow due to the permeable coral. Frame is available in white, red, gold plated or silver plated. Design Terzani Lab.











230V		Q01S	Q02S	Q03S		Q04A
	HALOGEN ES E14	28W (=40W)	28W (=40W)	42W (=60W)	HALOGEN ES G9	33W (=40W)
120V						
	FLAME CA 10 E12	40W	40W	60W	HALOGEN JCD G9	35W

LED LIGHT BULBS MAY BE USED



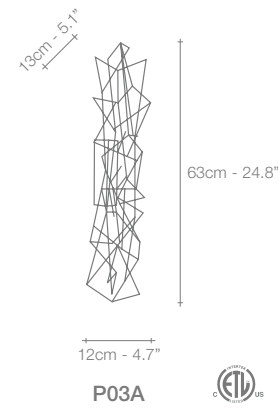
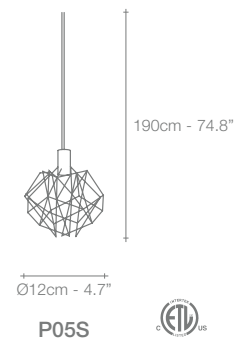
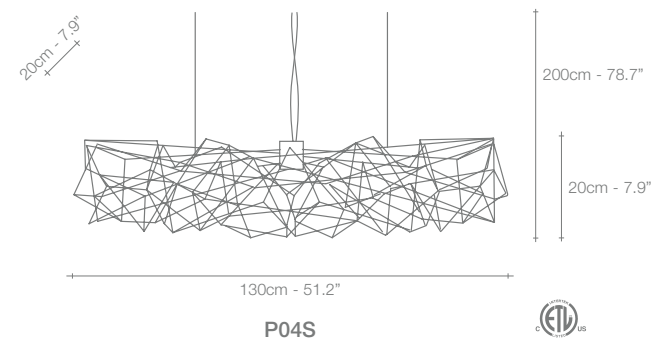
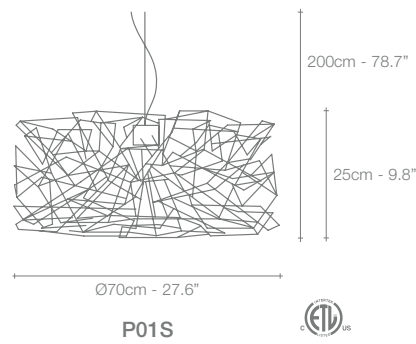
Etoile, Twinkling in an *indoor Sky.*



Etoile's intricate network of intersecting nickel lines recalls constellations in a clear night sky. Strategically placed bulbs cast a starry light, twinkling as viewers move around the pendant. Through projecting these complex patterns throughout the room, Etoile casts a heavenly glow in any space. Design Christian Lava.







	P01S	P03A	P04S	P05S
230V	8X10W + HALOGEN 12V G4 8X20W	6X10W	8X20W	20W
120V	8X10W + XENON BI-PIN 12V T3 G4 8X20W	6X10W	8X20W	20W

ETOILE CAN BE
MANUFACTURED TO WORK
WITH BI-PIN LED LIGHT
SOURCE ON REQUEST



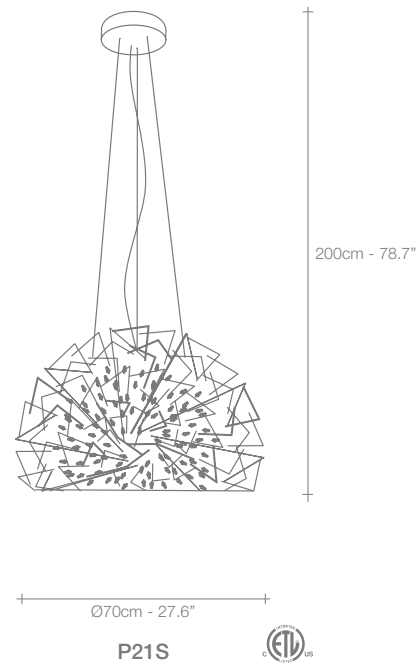
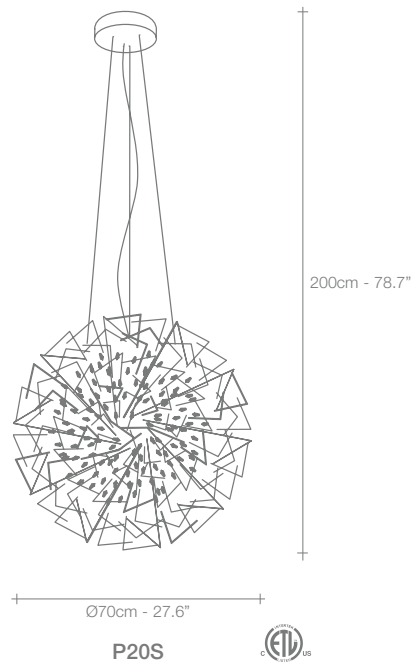
Core, Eruption *of Light.*



Core is reminiscent of the natural energy at the heart of our world. Like bright lava seeping through the earth's crust, vibrant spheres of faceted crystal break through the iron surface of this pendant. Forcing light to pass through this metal structure results in a powerful, vibrant exchange of forces light and shadow erupt across the room, as the LED light pours through, as the light itself emits an organic radiance. Design Christian Lava.







NICKEL CLEAR



BLACK NICKEL CLEAR



GOLD

230V / 120V



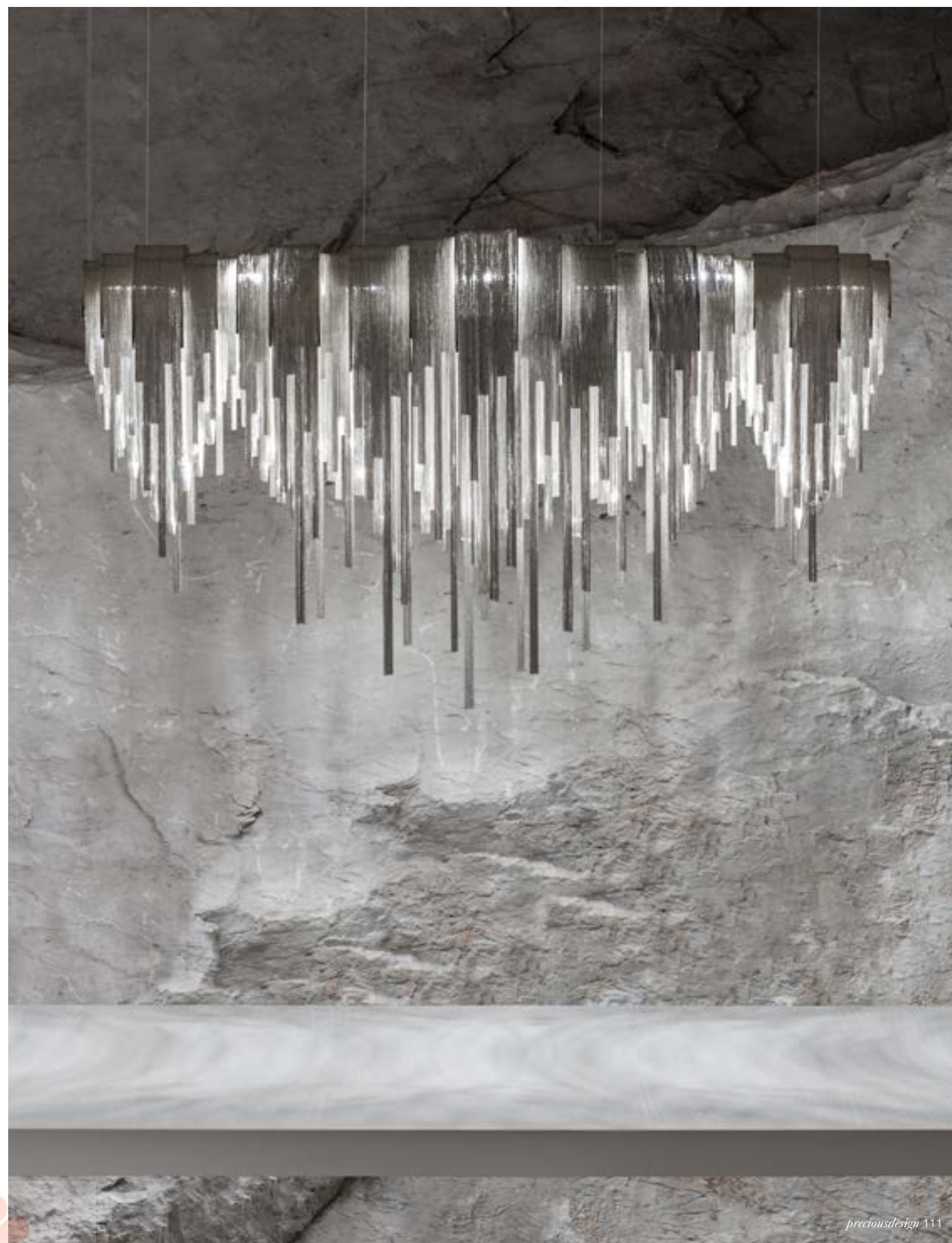
	P20S	P21S
COB LED		
3000 K		
CRI 90		
	22W	22W

2700K - CRI 90
COB LED
AVAILABLE ON
REQUEST



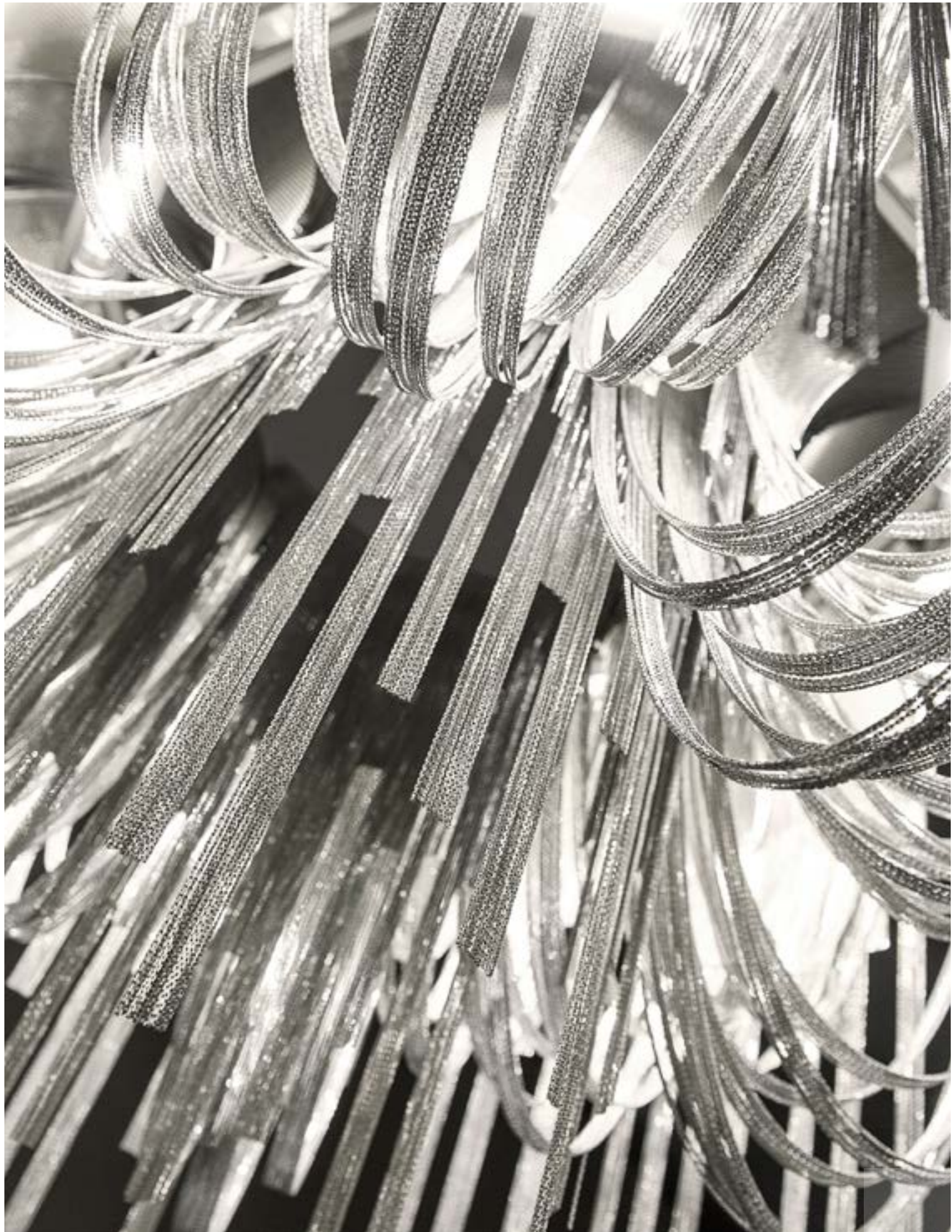
Volver, Breath of new *Light.*

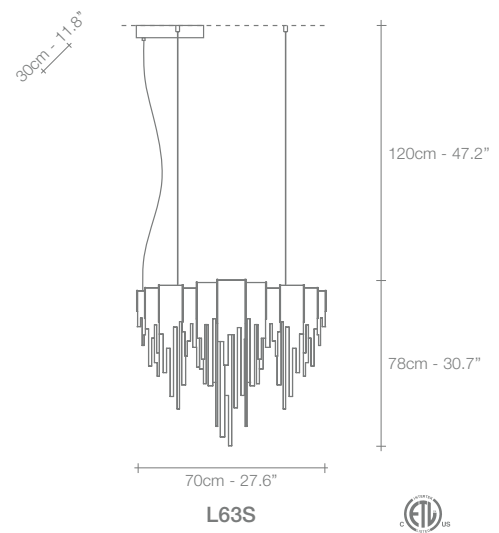
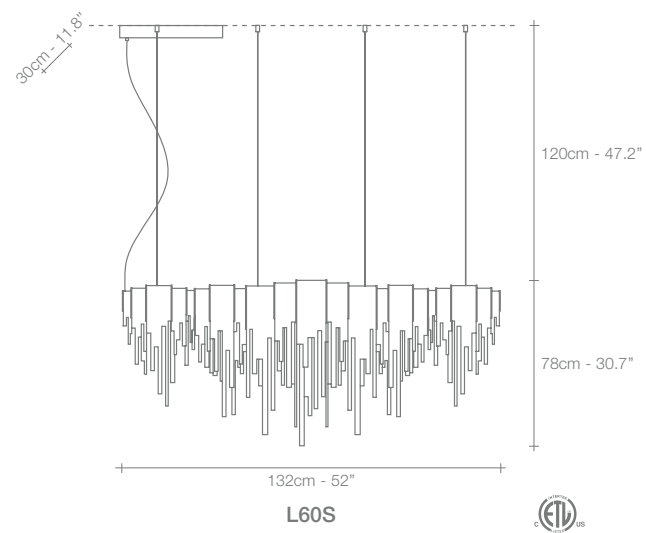
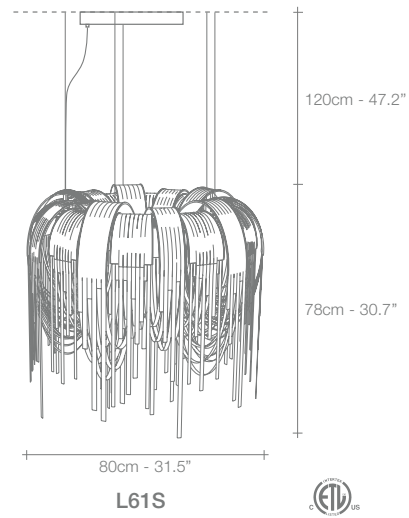
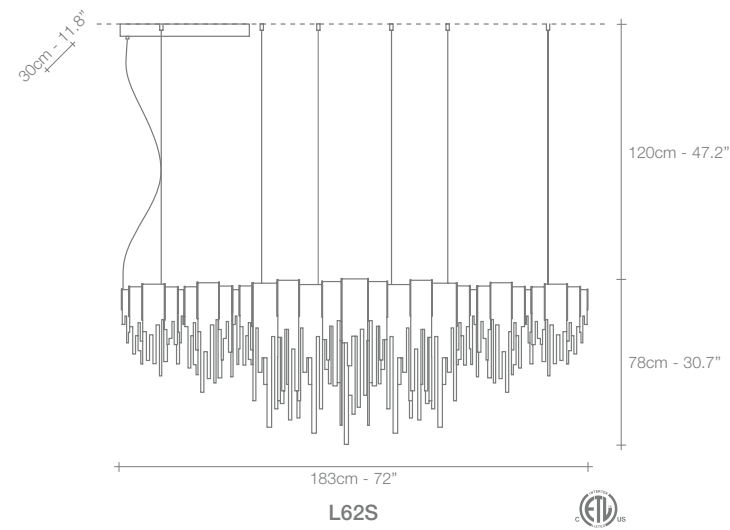
At Terzani, we are fortunate to work with some of the brightest young stars in Italian design. For Volver, designer Diego Bassetti and architect Andrea Panzieri of Studio 14, protégés of Bruno Rainaldi, applied their multidisciplinary approach to create Terzani's first LED suspension light. This geometric design combines thin nickel chains with the latest in LED technology to create a light that is both elegant and modern. A breath of new light, Volver melds technology and art to achieve a new level of luxury. Design Studio 14.



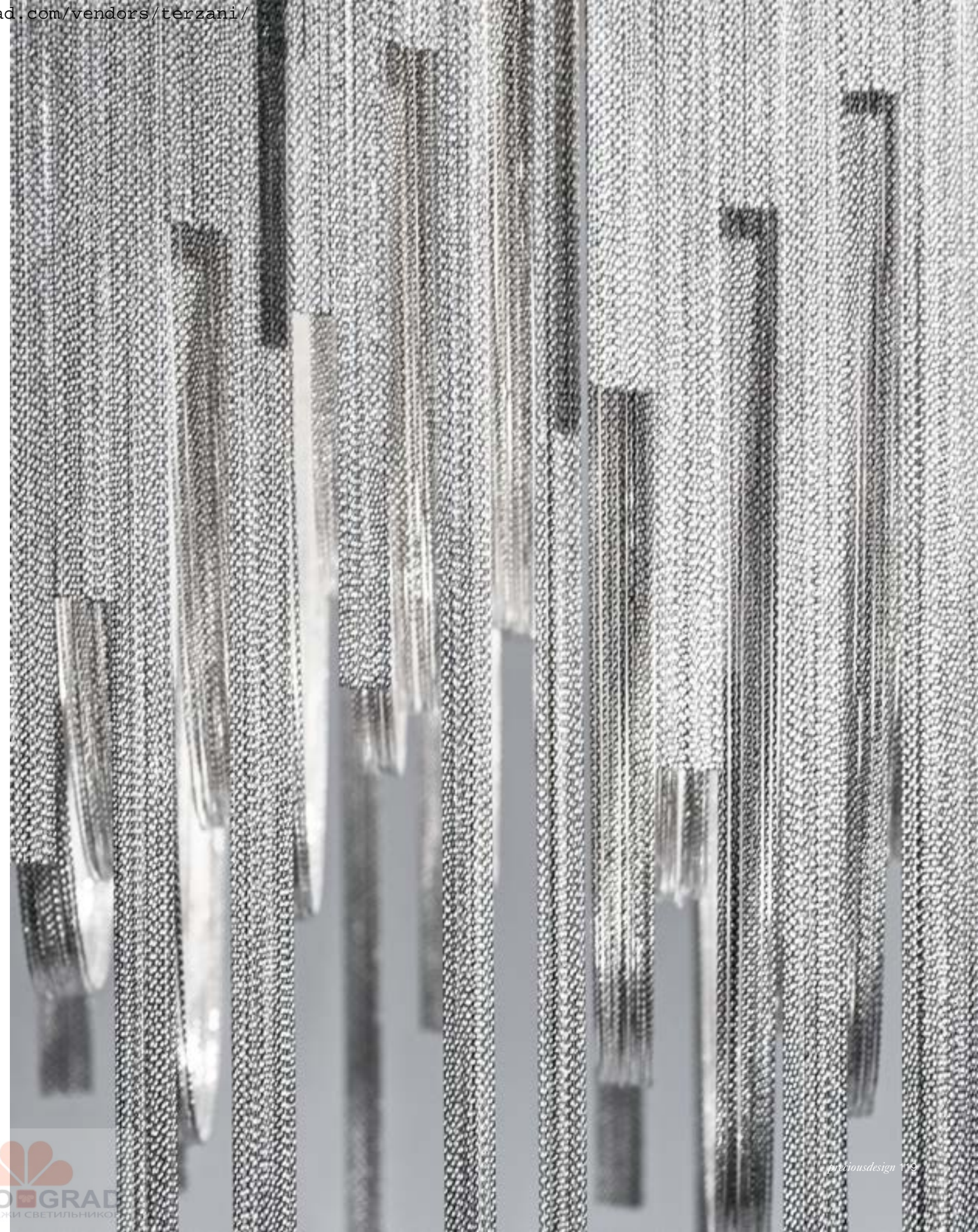








230V / 120V		L60S	L61S	L62S	L63S	2700K - CRI 90 LED BOARD AVAILABLE ON REQUEST
	LED BOARD 3000 K CRI 90	10X4.5W	10X4.5W	20X4.5W	7X4.5W	



Atlantis, a Precious *Wave.*

Seemingly alive, Atlantis shimmering light creates a vibrant source of energy. Its mesmerizing, organic effect is created by hundreds of illuminated lengths of draped, nickel chain. Like water in the ocean, Atlantis chains appear liquid, cascading over its gloss nickel bands and falling down towards the abyss before turning back into itself. Atlantis is composed of almost three miles of chain, meticulously hand-crafted by master Italian artisans. Design Barlas Baylar.



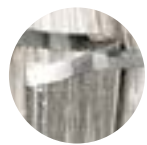
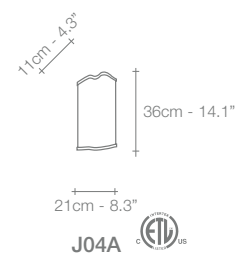
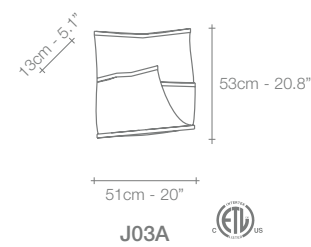
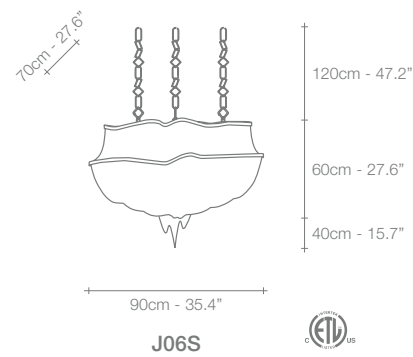
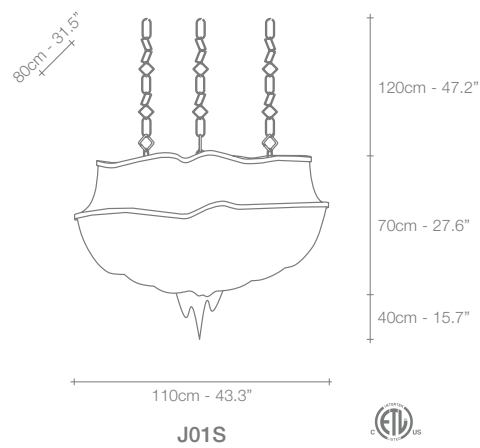
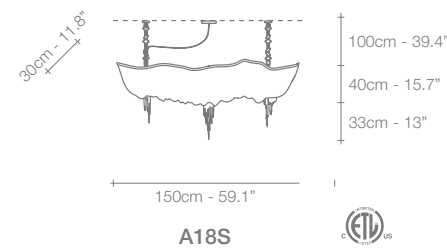
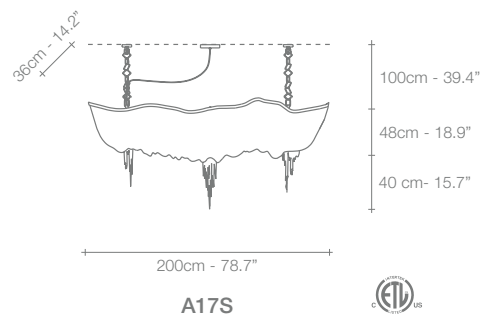
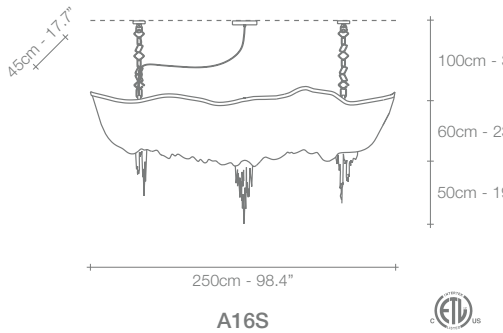
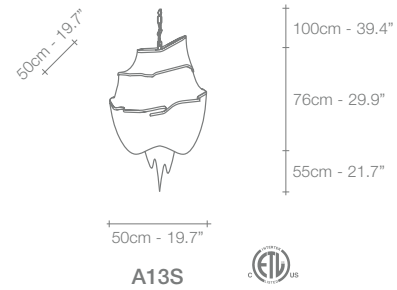
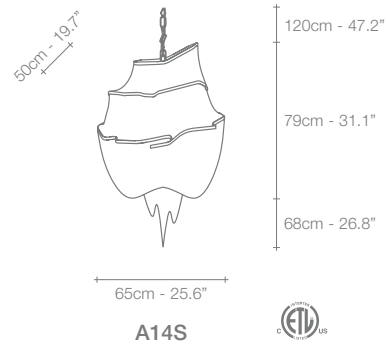
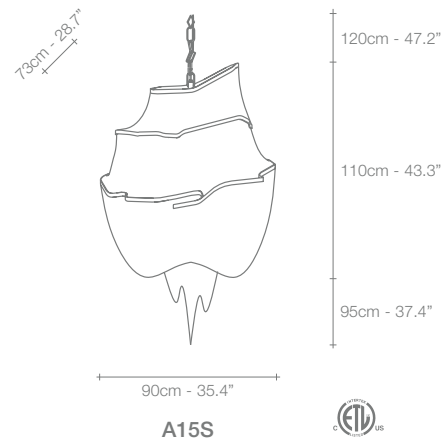




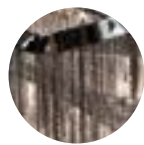








NICKEL



BLACK NICKEL



GOLD



BRONZE

	A13S	A14S	A15S	A16S	A17S	A18S	J01S	J03A	J04A	J06S
230V	HALOGEN ES E14	6X42W (=6x60W)	8X42W (=8x60W)	8X42W (=8x60W)	10X42W (=10x60W)	10X42W (=10x60W)	8X42W (=8x60W)	4X28W (=4x40W)	2X42W (=2x60W)	8X42W (=8x60W)
120V	FLAME CA 10 E12	6X60W	8X60W	8X60W	10X60W	10X60W	8X60W	4X40W	2X60W	8X60W

LED LIGHT BULBS MAY BE USED

Stream, Iridescent *Light.*

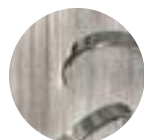
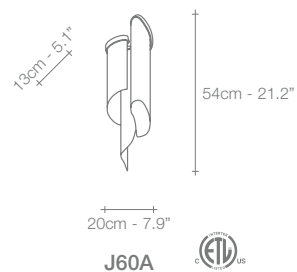
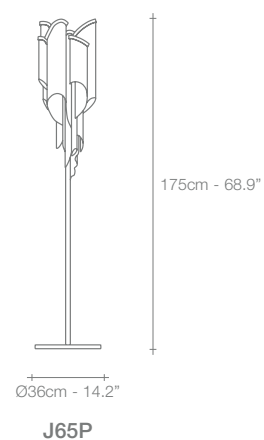
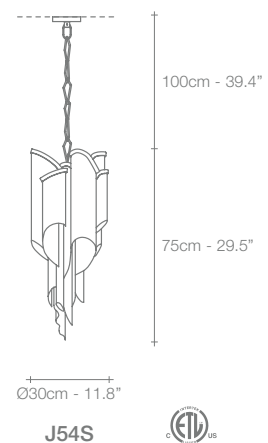
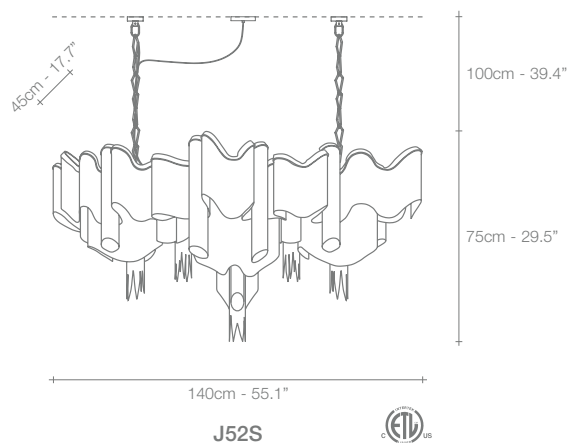
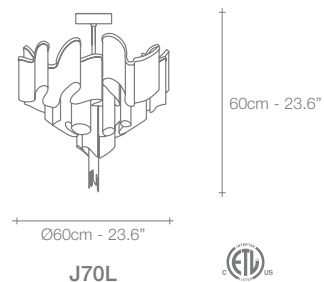
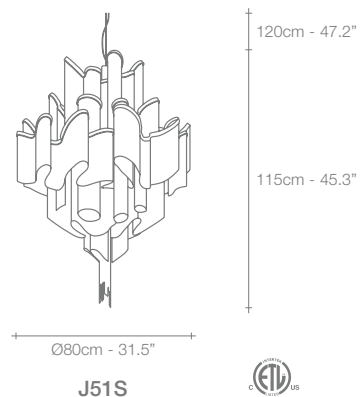
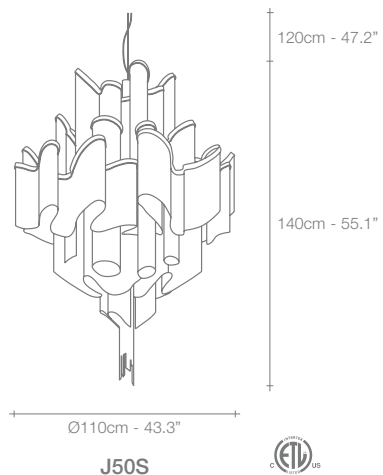
A stunning design from Christian Lava, Stream is an impressive presence in any room. Stream's design exploits the physical characteristics of the materials used to envelop a room in a unique, immersive light. Here, an elegant thin metal chain appear to flow down from the undulating, nickel-plated frame. These cascading tiers project a streaking, yet tranquil, shadow throughout the room. Design Christian Lava.











NICKEL

	J50S	J51S	J52S	J70L	J54S	J60A	J65P
230V	HALOGEN ES E14 + HALOGEN GU10 20X28W E14 (=20x40W) + 35W GU10	18X28W E14 (=18x40W) + 35W GU10	12X33W G9 (=12x40W) + 3X35W GU10	8X33W G9 (=8x40W) + 35W GU10	LED G9 + HALOGEN GU10 4X3,5W G9 + 35W GU10	HALOGEN ES E14 2X42W (=2x60W)	6X28W (=6x40W)
120V	FLAME CA 10 + HALOGEN MR20 GU10 20X40W E12 + 35W GU10	18X40W E12 + 35W GU10	12X35W G9 + 3X35W GU10	8X35W G9 + 35W GU10	LED JCD G9 + HALOGEN MR20 GU10 4X3W G9 + 35W GU10	FLAME CA 10 2X60W	6X40W

LED LIGHT BULBS MAY BE USED

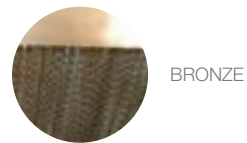
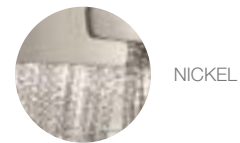
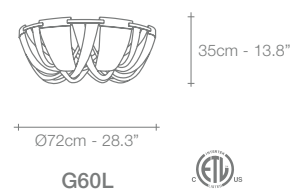
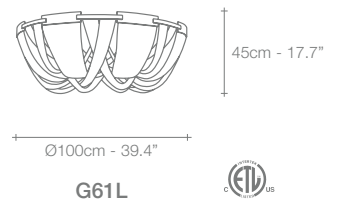
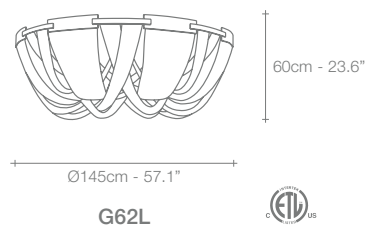
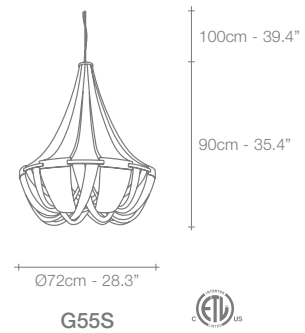
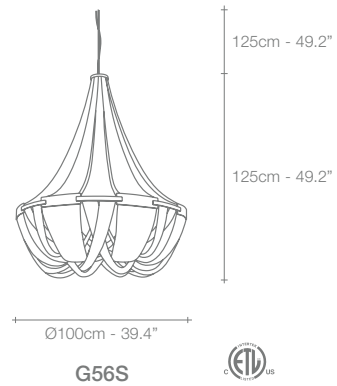
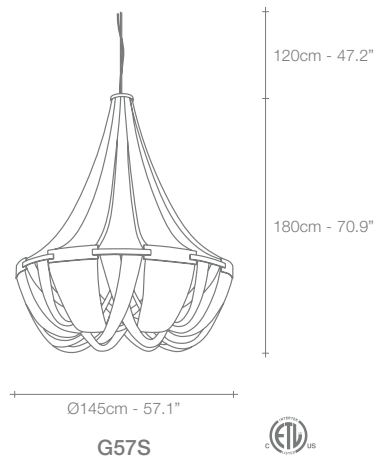


Soscik, Classic form, *Modern look.*



Reinventing the classics. With Soscik, Terzani combines traditional, artisan techniques with cutting edge technology to give the traditional chandelier a modern update. Over the plated frame, Soscik creates a dramatic and romantic effect, while still being able to compliment today's modern luxury. Available as a chandelier or a ceiling lamp, Soscik proves that modern design does not have to sacrifice luxury. Design Nicolas Terzani.





	G55S	G56S	G57S	G60L	G61L	G62L
230V	HALOGEN ES G9	8X33W (=8X40W)	12X33W (=12X40W)	14X33W (=14X40W)	8X33W (=8X40W)	10X33W (=10X40W)
120V	HALOGEN JCD G9	8X35W	12X35W	14X35W	8X35W	10X35W

LED LIGHT BULBS MAY BE USED



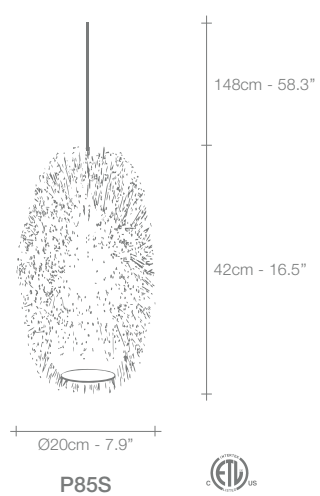
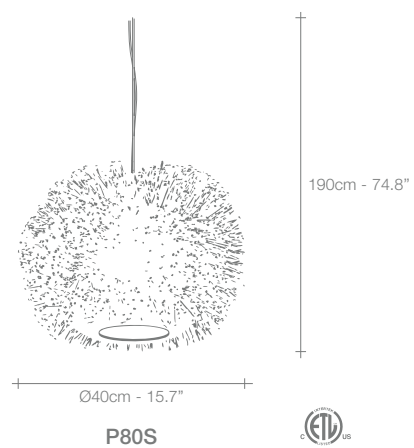
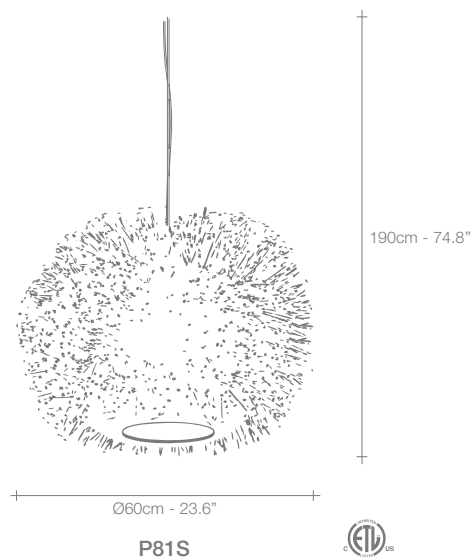
Sea Urchin, Dress your *Light.*



Pushing the boundaries of design and artistry; drawing from the haute couture designer's unique universe, sea urchin features over 1500, translucent crystal "pins" seemingly suspended around the bulb, casting a dynamic shadow around the room. The perfect accessory for your well-curated home, sea urchin is available in different finishes in both round and oblong versions. Design Maurizio Galante.







NICKEL SILVER WHITE



NICKEL SILVER SILVER



NICKEL SILVER SWAROVSKI

	P80S	P81S	P85S
230V	HALOGEN ES E27	70W (=100W)	70W (=100W)
120V	HALOGEN ECO A19 E26	72W (=100W)	72W (=100W)
			HALOGEN ES E14
			42W (=60W)
			KX-2000 T3 E12
			40W

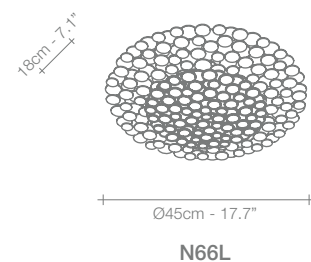
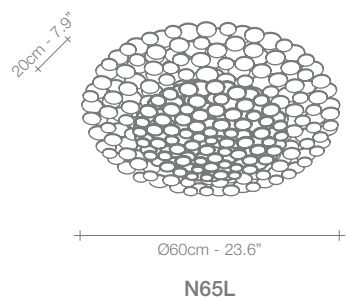
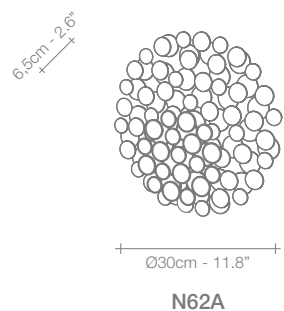
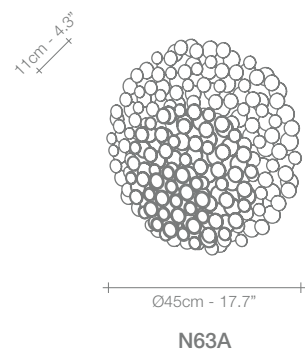
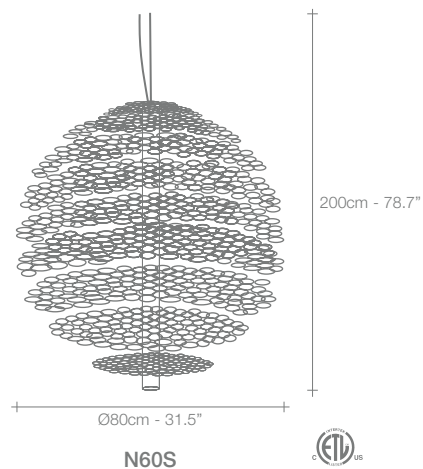


Tresor, a Wealth *of Light.*



An impeccable addition to any space, Tresor's hand-made design and precious metal "coins" create scintillating halos of light. Recalling discovered treasure, the layers of gold or silver leaf create a rich, luxurious light. Available in a range of sizes, including wall sconces and pendants, tresor has an elegance that is truly priceless. Design Jean François Crochet.





GOLD LEAF



SILVER LEAF

	N60S	N62A	N63A	N65L	N66L	
230V	HALOGEN ES G9	9X33W (=9X40W)	48W (=60W)	2X48W (=2X60W)	6X33W (=6X40W)	6X33W (=6X40W)
120V	HALOGEN JCD G9	9X35W	50W	2X50W	6X35W	6X35W

LED LIGHT BULBS MAY BE USED

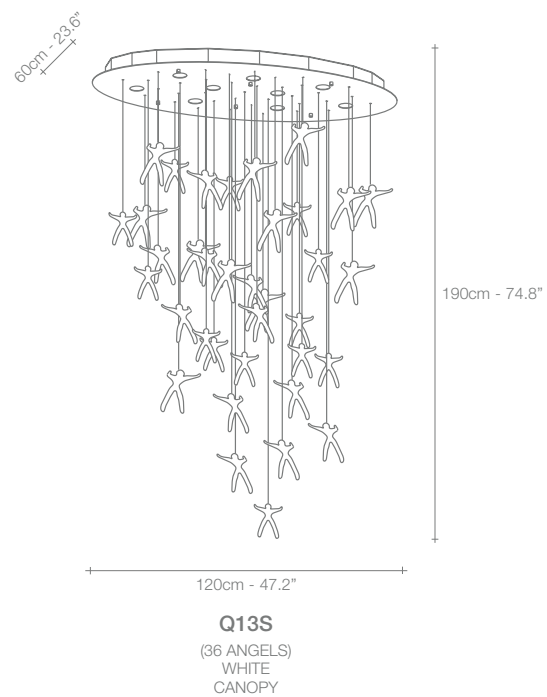
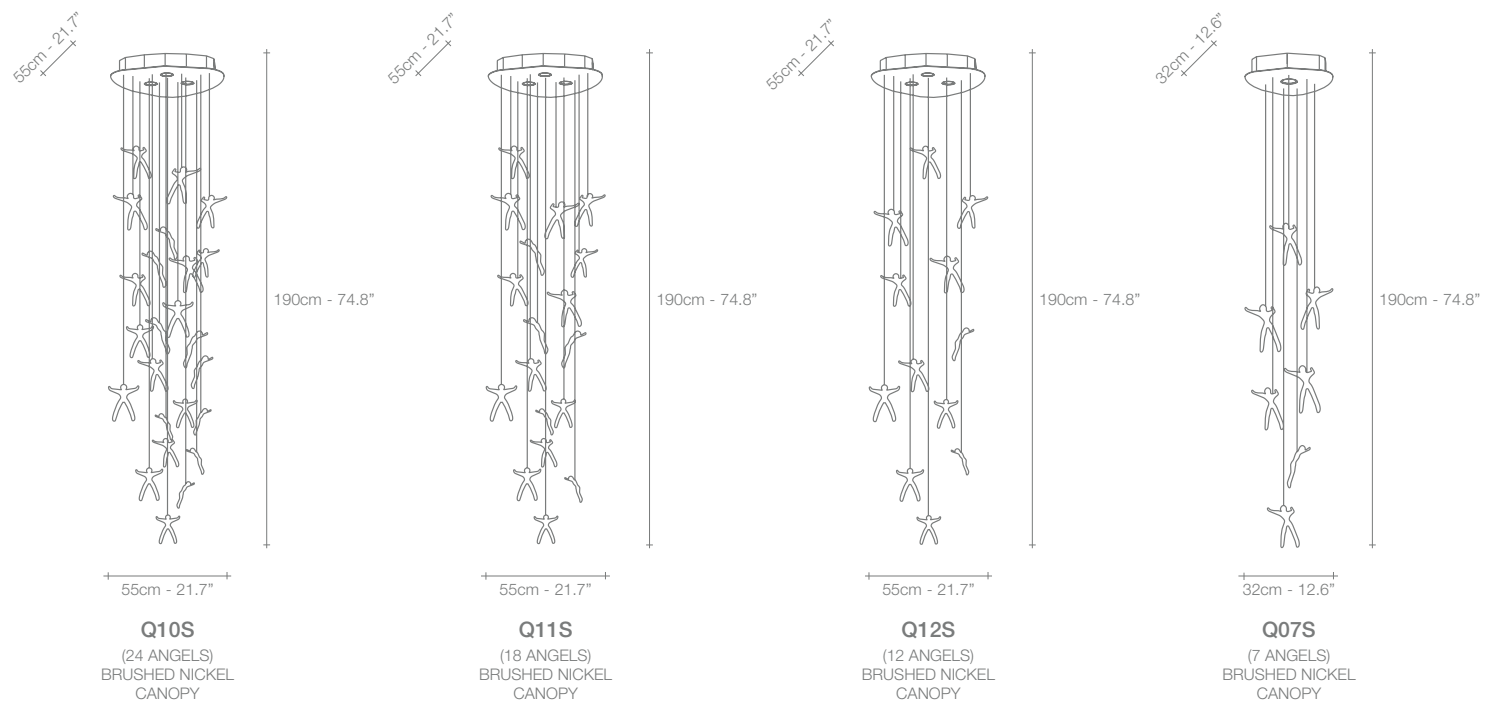


Angel Falls, Cast down *Earth.*

For his first work for Terzani, Nigel Coates, well known for his unorthodox approach to design, has created an engaging, unique light. Customizable groups of crystal (24% lead) "angels" are illuminated by halogen lamps. What caused these angels to fall from the heavens? It's up to the viewers to decide. Either way, angel falls is sure to garner attention, and generate conversation, in any setting. Design Nigel Coates.







CRYSTAL

	Q07S	Q10S	Q11S	Q12S	Q13S	
230V	HALOGEN GU10	50W	3X50W	3X50W	3X50W	9X35W
120V	HALOGEN MR16 GU10	50W	3X50W	3X50W	3X50W	9X35W

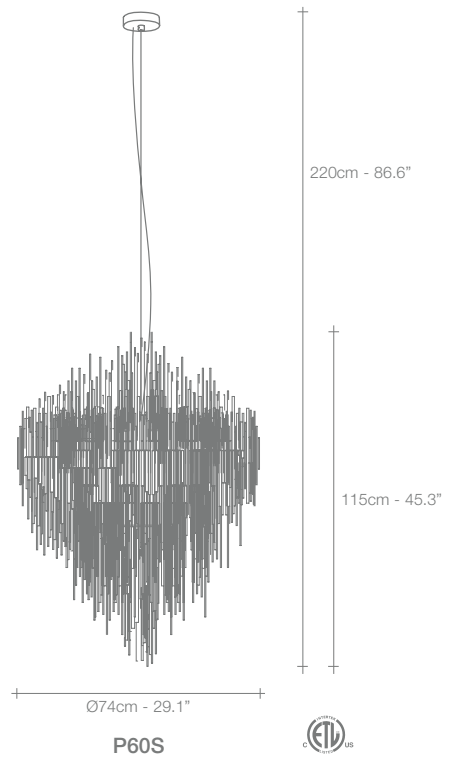
LED LIGHT BULBS MAY BE USED



Iceberg, Pure *Light.*

Inspired by the natural beauty of ice crystals, this new suspension light creates a spectacular, luminous piece through the use of over 3,600 plexyglass tubes. Similar to light refracting through water, the illumination created by Iceberg is both brilliant and natural, meticulously handcrafted, each light is a unique sculpture; sparkling, multifaceted and powerful. Design Dodo Arslan.





- P60S**
- | | | | | |
|------|----------------------|---|----------------------|---------------------------|
| 230V | | + | | 6X14W E14
+
23W E27 |
| | COMPACT
FLUO. E14 | | COMPACT
FLUO. E27 | |
| 120V | | + | | 6X12W E12
+
23W E26 |
| | COMPACT
FLUO. E12 | | COMPACT
FLUO. E26 | |



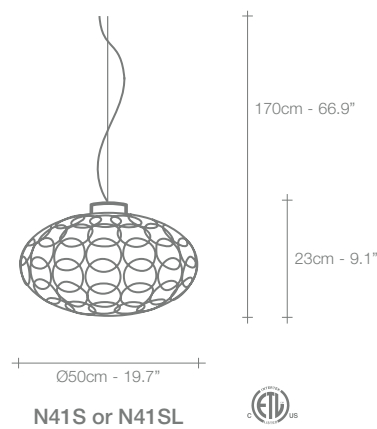
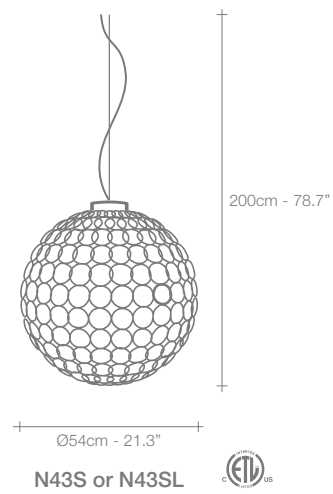
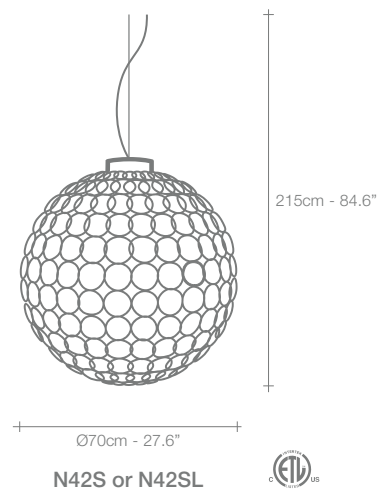
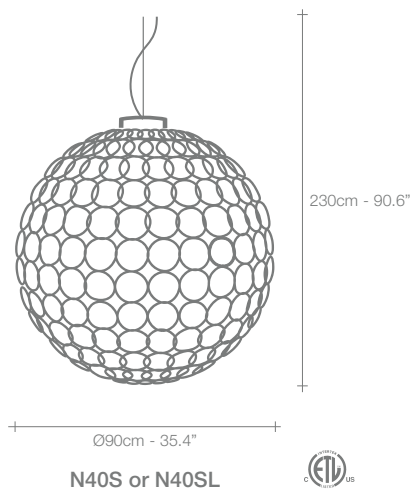
G.r.a, gyrating Romantic *rings of Light.*



This clean, precise form is the result of hours of labor by our artisans, who meticulously weld each ring together. G.r.a. is a delicate, refined pendant whose intricate shape belies its romantic glow. Available as an oval or a sphere, and finished in nickel or gold, G.r.a. serves as an elegant, unobtrusive complement to any room. Design Bruno Rainaldi.

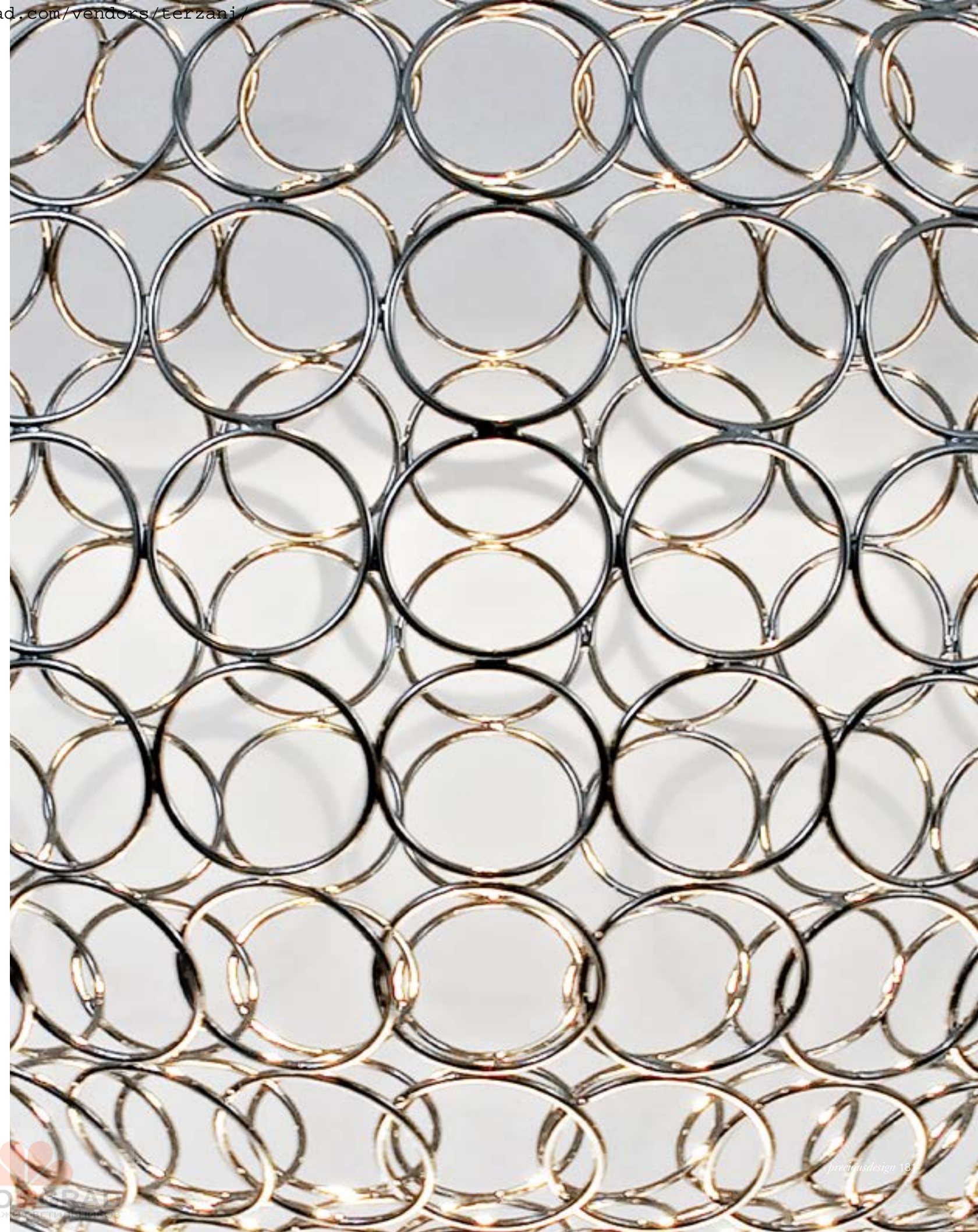






	N40S	N41S	N42S	N43S	or	N40SL	N41SL	N42SL	N43SL	
230V	HALOGEN HPAR R 111 GZ10	100W	100W	100W	100W	COB LED 3000 K CRI 90	22W	22W	22W	22W
120V	HALOGEN R 111 GU10	75W	75W	75W	75W					

2700K - CRI 90 COB LED
AVAILABLE ON REQUEST



Orten'zia, Petals of *Light.*



Recalling the natural beauty of a flower, Orten'zia hand-soldered "petals" emanate a unique glow, immersing the entire room in a glimmering light. An organic radiance is created through light and shadow, planting a garden within the room. Available in either nickel or gold plated, the orten'zia's elegant form complements its dramatic light. Design Bruno Rainaldi.





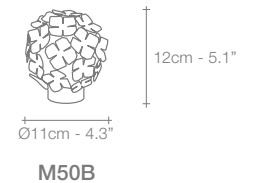
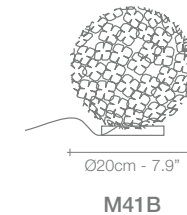
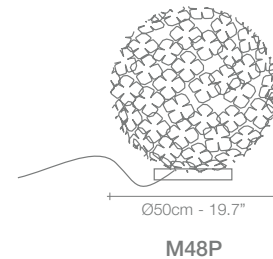
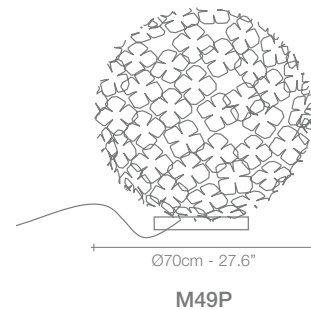
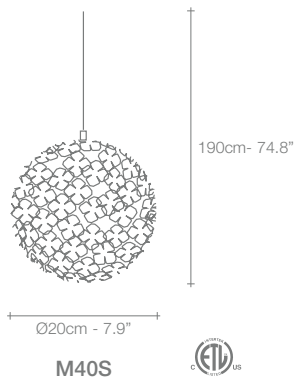
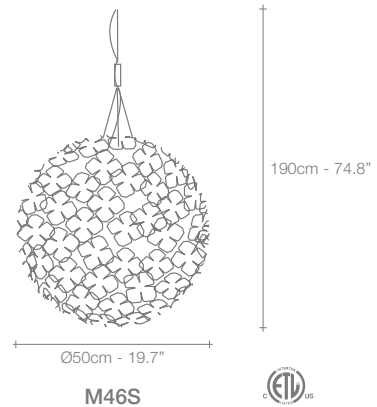
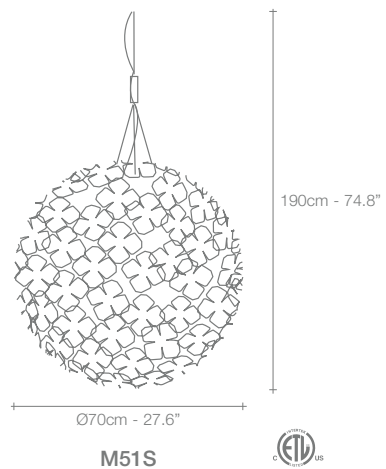




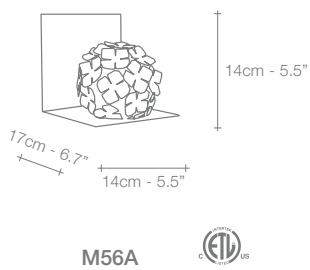
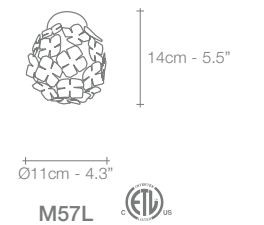
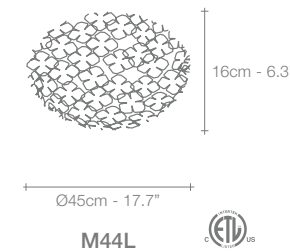
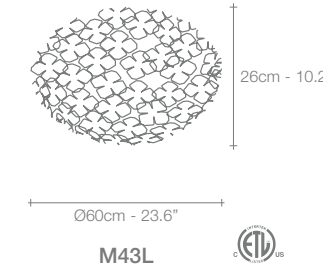
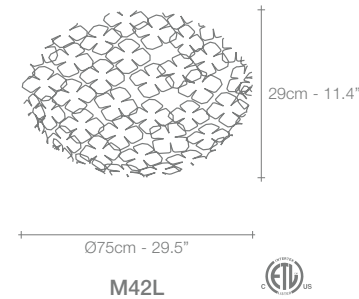
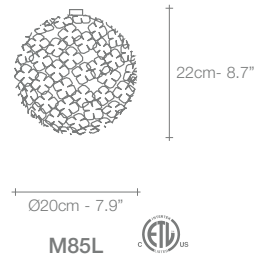
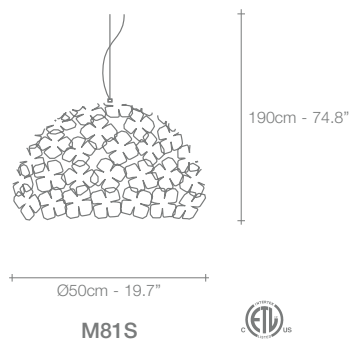








ONLY SILVER
OR GOLD



230V		M40S	M41B		M42L	M43L	M46S	M48P	M49P	M51S		M44L		M50B
	HALOGEN ES E14	42W (=60W)	42W (=60W)		HALOGEN ES E27	140W (=200W)	105W (=150W)	140W (=200W)	105W (=150W)	140W (=200W)		140W (=200W)		HALOGEN ES R7S
120V		M40S	M41B		M42L	M43L	M46S	M48P	M49P	M51S		M44L		M50B
	KX-2000 T3 E12	40W	40W		CLEAR STD. TYPE A E26	A23 200W	A23 200W	A23 200W	A21 150W	A23 200W		A23 200W		HALOGEN J-SHORT R7S

230V		M47S	M56A	M57L	M85L
	HALOGEN ES G9	48W (=60W)	48W (=60W)	33W (=40W)	33W (=40W)
120V		M47S	M56A	M57L	M85L
	HALOGEN JCD G9	50W	50W	50W	35W

	M81S
	COMPACT FLUO. E27
	M81S
	GLOBE G40 E26

Bond, brands of *Racing Light.*

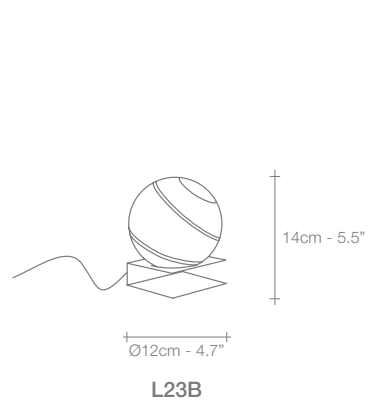
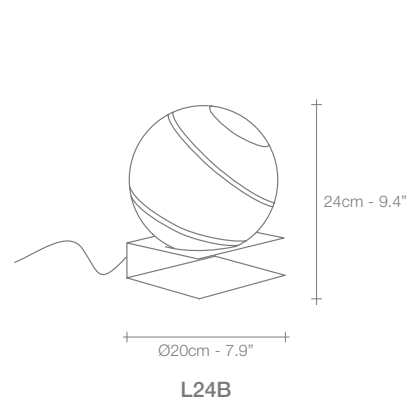
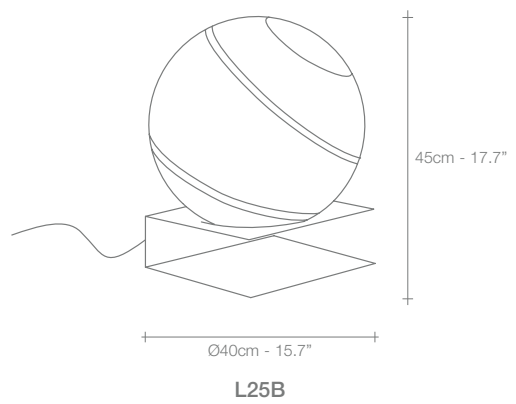
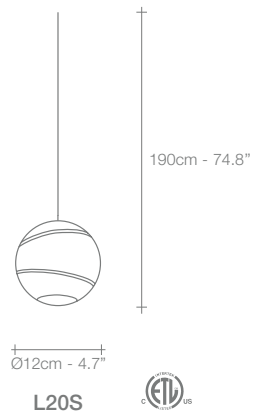
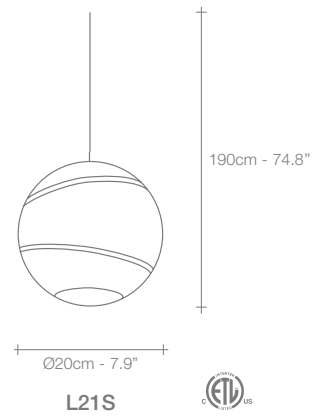
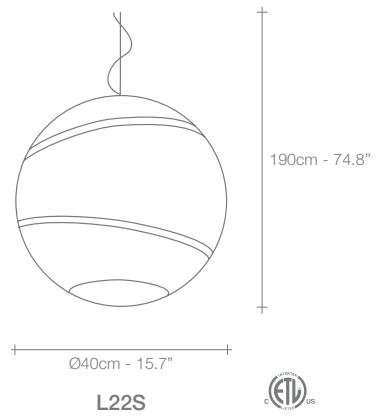
Bond's bands of light expose a deceptively luxurious interior. Under the glass exterior, lays a core of gold leaf that creates a deep, complex radiance. The overall glow is intensified by incisions that emit focused, dramatic lines of light. Extremely versatile, Bond is available in three sizes; as either a pendant or a table/floor light; and with a black or white exterior. Whether alone or grouped together, Bond's light creates a dynamic atmosphere. Design Bruno Rainaldi.











CLEAR GLASS
WHITE WITH
GOLD LEAF



CLEAR GLASS
BLACK WITH
GOLD LEAF

	L20S	L23B	L21S	L22S	L25B	L24B				
230V	HALOGEN ES G9	20W (=25W)	20W (=25W)	HALOGEN ES E14	42W (=60W)	HALOGEN ES E27	70W (=100W)	70W (=100W)	HALOGEN ES E14	42W (=60W)
120V	HALOGEN JCD G9	20W	20W	HALOGEN ECO A19 E26	72W (=100)	72W (=100)	CLEAR GLOBE G16 1/2 E12	60W		

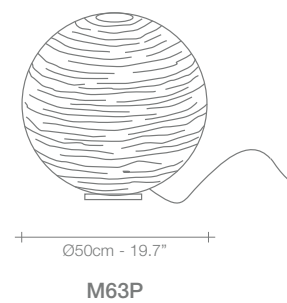
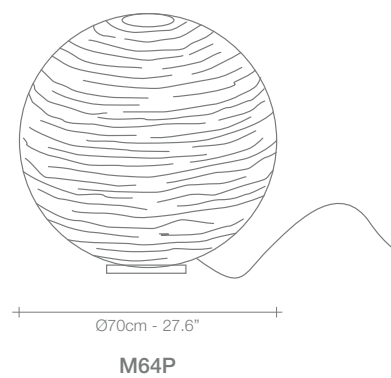
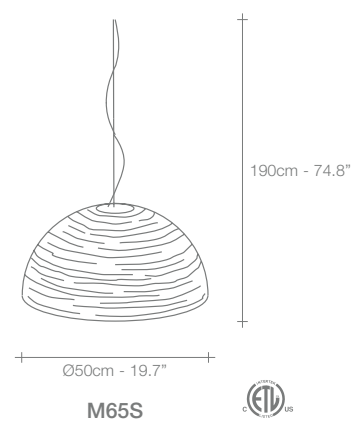
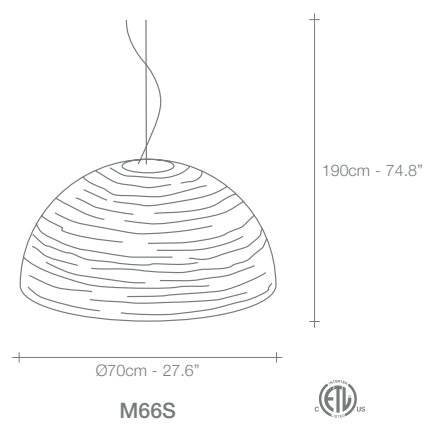
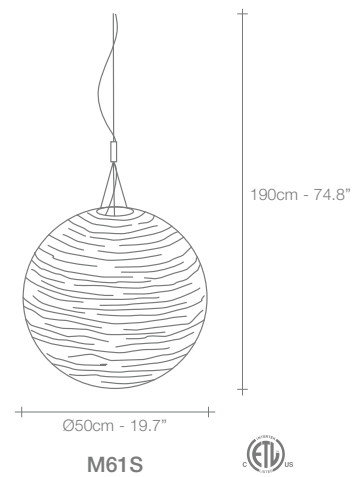
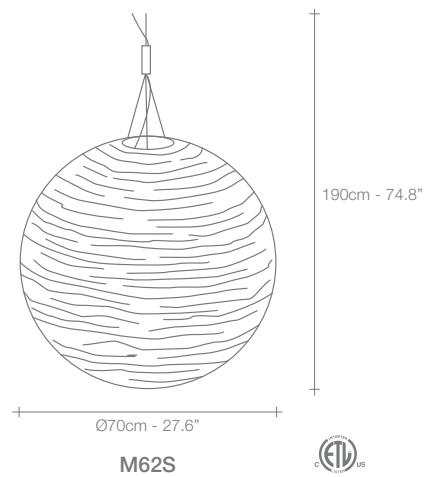


Magdalena, Cutting edge *Beauty.*



Reaching inside traditional forms, Magdalena's laser-cut, horizontal openings allow for its light to expand its range to the entire room. Creating an alluring pattern of light and shadow, Magdalena highlights the shape of the room itself. This unique exchange creates a pendant that impacts every space, regardless of size. Design Bruno Rainaldi.





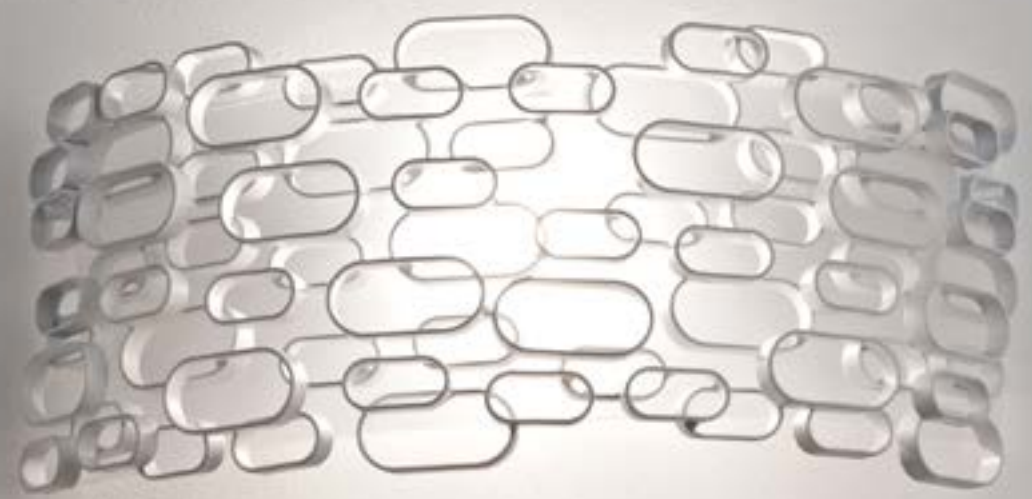
	M61S	M62S	M63P	M64P	M65S	M66S
230V	HALOGEN ES E27	140W (=200W)	140W (=200W)	105W (=150W)	140W (=200W)	COMPACT FLUO. E27 23W
120V	CLEAR STD. A23 E26	200W	200W	200W	200W	GLOBE G40 E26 150W

Glamour, Modern *Seduction.*

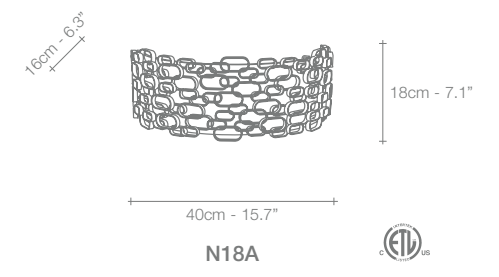
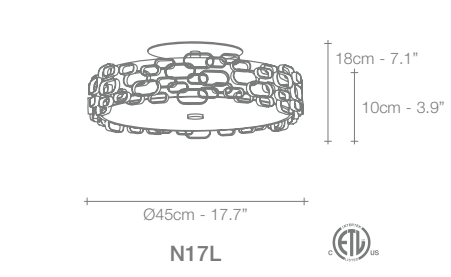
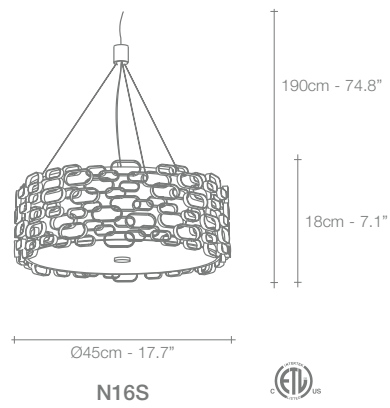
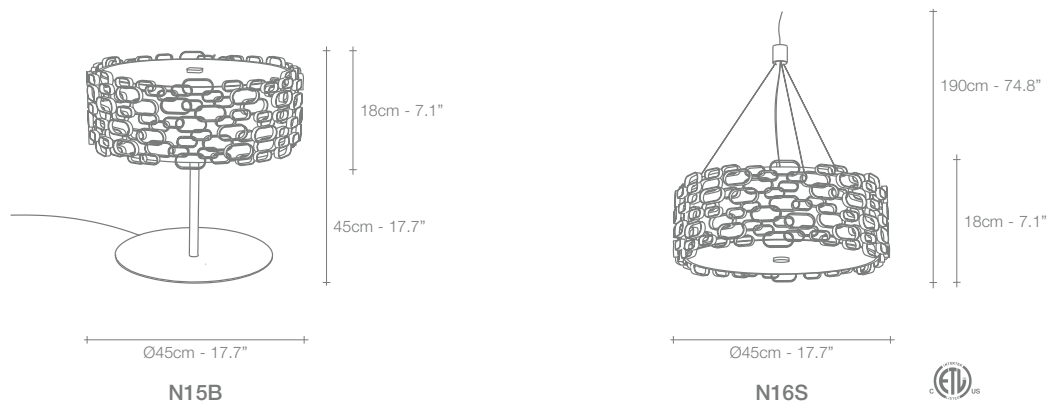
Glamour's randomly interspersed rings imbue this design with a seductiveness rarely applied to geometric shapes. Whether finished in gold, nickel or white, the diffused light emanating behind Glamour's rings bathes the surrounding area in a soft, sensuous glow. Available as a wall sconce, table lamp or pendant, glamour can provide subtle accents or act as the focal point of a room. Design Dodo Arslan.







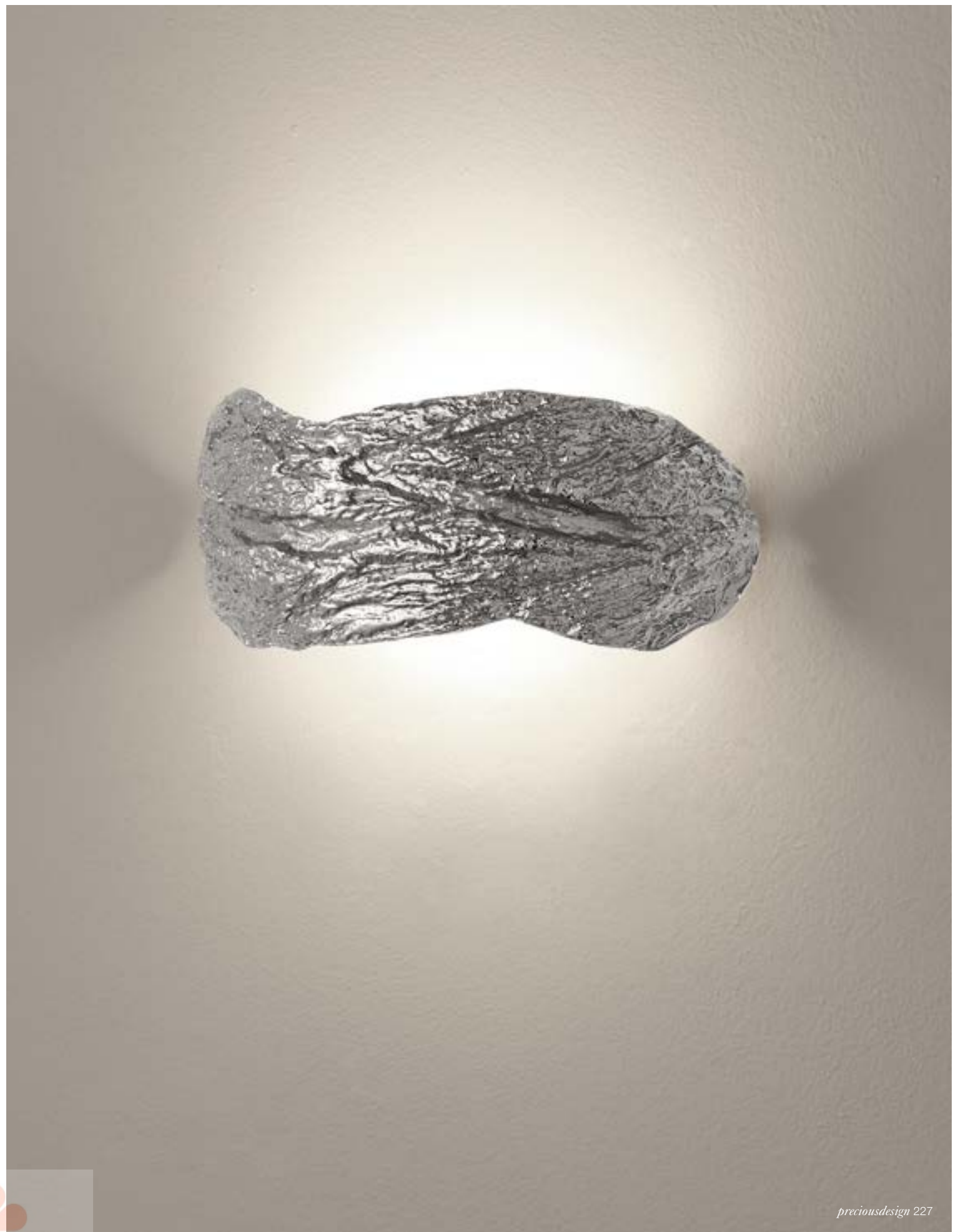




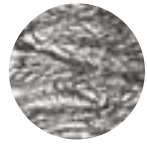
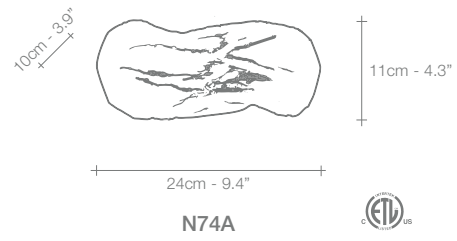
	N15B	N16S	N17L	N18A
230V	 HALOGEN ES E14 3X28W (=3X40W)	 HALOGEN ES E14 3X28W (=3X40W)	 HALOGEN ES E14 3X28W (=3X40W)	 HALOGEN ES R7S 48W (=60W)
120V	 CLEAR GLOBE G12 E12 3X40W	 CLEAR GLOBE G12 E12 3X40W	 CLEAR GLOBE G12 E12 3X40W	 HALOGEN J-SHORT R7S 75W



Wabi, Understated *Elegance.*



Influenced by the rustic simplicity of the mulberry tree, Nicolas Terzani set out to create a piece that delivered the same quiet, harmonious elegance. Thus, wabi, available in white, gold-plated or silver-plated finish, which recalls the serenity and balance of its natural inspiration. The texture of wabi harnesses the anomalies of a cortex, resulting in a unique and classic light. Design Nicolas Terzani.



NICKEL



GOLD

N74A



230V

HALOGEN ES R7S 48W (=60W)



120V

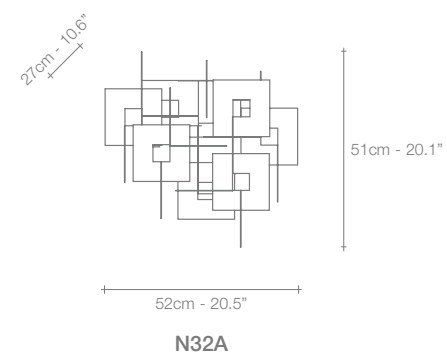
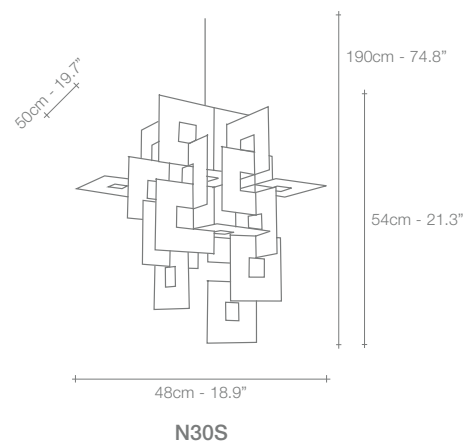
HALOGEN J-SHORT R7S 75W



Untitled, Beauty is in the eye *of the Beholder.*



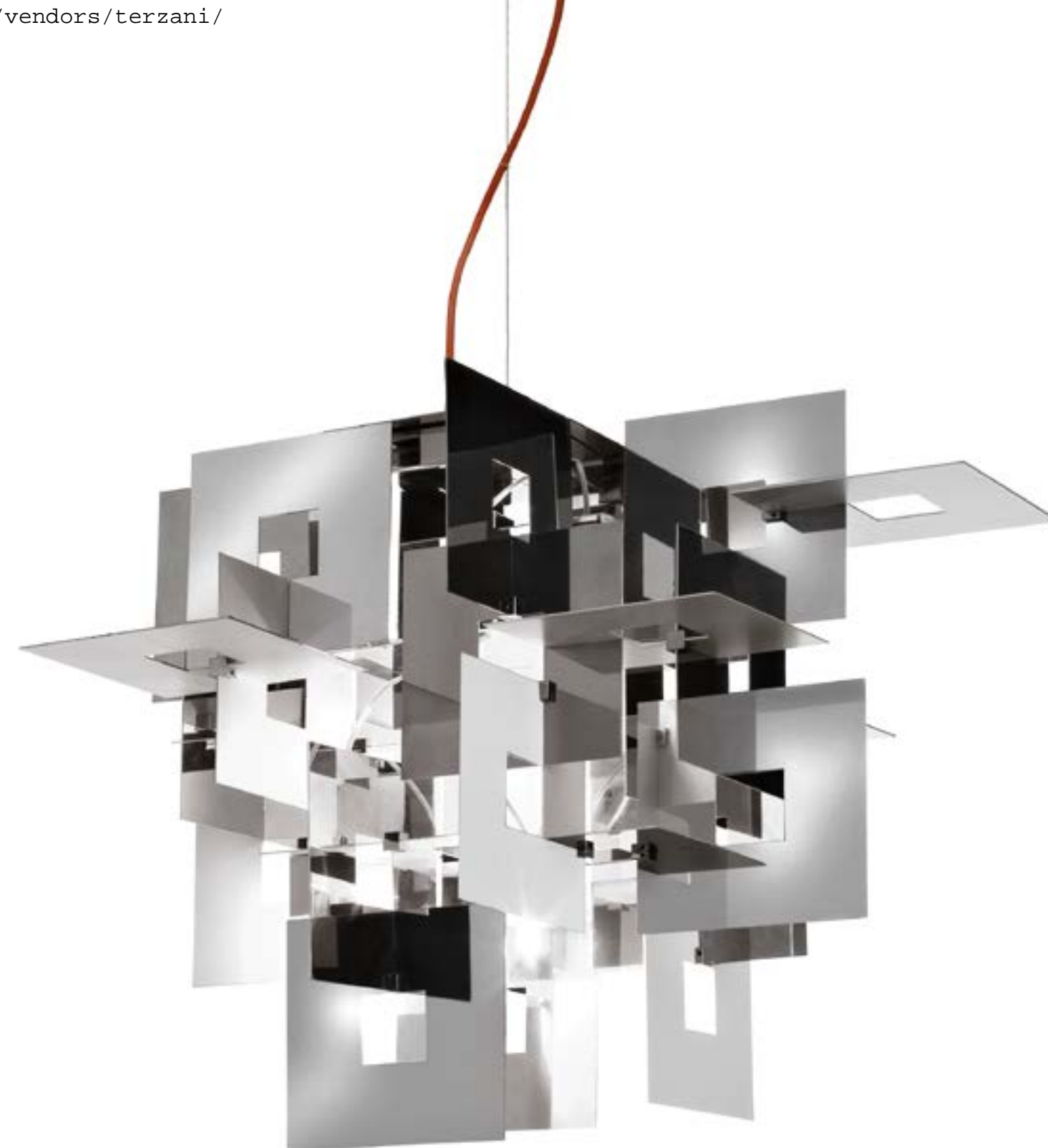
A powerful work of art has a unique meaning for each viewer. With Untitled, laser-cut stainless steel frames create a depth and complexity that changes at every angle, providing a dynamic element to any space. This unique design elicits a range of responses and provides an intriguing element that stands the test of time. Design Bruno Rainaldi.



WHITE / INOX

	N30S	N32S
230V	HALOGEN ES G9 5X33W (=5X40W)	4X33W (=4X40W)
120V	HALOGEN JCD G9 5X35W	4X35W

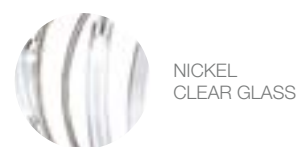
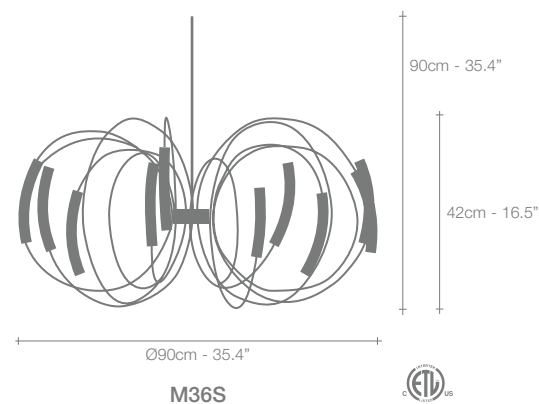
LED LIGHT BULBS MAY BE USED



Hook, an Alluring *Design.*



Hook, comprised of a series of arched arms, creates an enticing light that draws people towards it. Bathing the room in a soft glow, viewers are easily captured by Hook's inviting elegance. Its clean design lends well in a variety of settings, casting a light that is equally suitable in commercial or residential environments. Design Jean François Crochet.



230V		M36S
	HALOGEN 12V G4	12X14W (=12X20W)
120V		
	XENON BI-PIN 12V T3 G4	12X20W

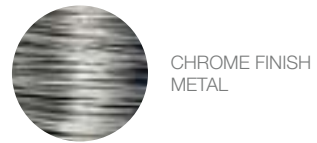
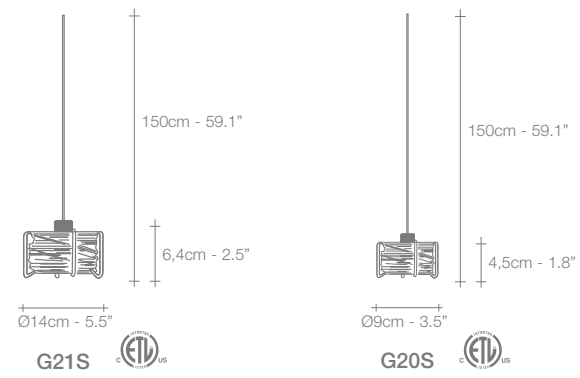
HOOK CAN BE
MANUFACTURED TO WORK
WITH BI-PIN LED LIGHT
SOURCE ON REQUEST



Bobino, a Hidden *Illumination.*

The wire-wrapped frame of Bobino encases a simple, clean spotlight, perfect for showcasing a special object or area. Created with over 16 meters of metal wire, this compact design belies an elegant complexity. While perfect in a commercial setting, Bobino's design is equally effective in residential applications. Also available in clear glass. Design Jean François Crochet.





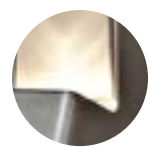
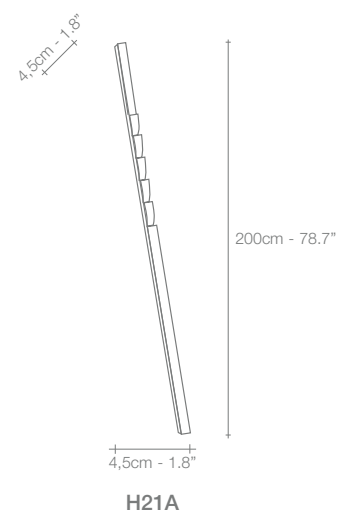
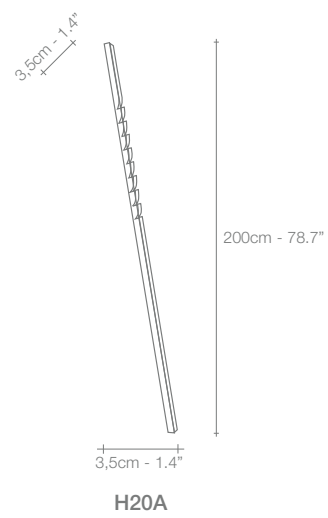
	G20S	G21S
230V	HALOGEN 12V GU4 35W	HALOGEN GZ10 50W
120V	HALOGEN 12V BI-PIN MR11 GU4 35W	HALOGEN MR16 GU10 50W



Zig-Zag, Easy *Sophistication.*

Either alone or a group, Zig-Zag is a truly unique way to add light to any space. Intended to lean nonchalantly against a wall, the soft glow from the notched, Zig-Zag openings creates a comfortable ambience while adding a distinctly progressive design element. Zig-Zag complements rooms with high ceilings while opening up smaller spaces. Design Jean François Crochet.





SATIN NICKEL

	H20A	H21A
230V	HALOGEN 12V G4	9X5W 6X10W
120V	XENON BI-PIN 12V T3 G4	9X5W 6X10W

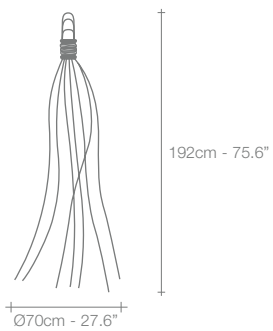
ZIG-ZAG CAN BE MANUFACTURED TO WORK WITH BI-PIN LED LIGHT SOURCE ON REQUEST



Hugo, a Welcome *Guest.*

Some designs are strong enough to stand alone. These are the pieces that transform spaces and inspire viewers. Hugo, a unique sculpture created by Terzani's master craftsmen, is composed of hand-forged metal stems, encasing a single light. With a graceful, delicate form, Hugo is a welcome guest in any space, intriguing and powerful. Design Jean François Crochet.





D20P



SATIN NICKEL



D20P

230V HALOGEN ES E27 105W (=150W)



120V HALOGEN ECO A19 E26 72W (=100W)





Art and *Crafts*

Terzani has a tradition deeply rooted in Italian craftsmanship. From shaping precious metals to painstakingly constructing every piece, our master craftsmen give attention to every design, resulting in unparalleled quality and a distinct aesthetic.





TERZANI
LA LUCE PENSATA

All products in Terzani collections are inspired by a return to noble artisan traditions. Every object is carefully created using craft techniques and for this reason certain details may vary from product to product. These variations are not imperfections but characteristic peculiarities of the production process. Terzani reserves the right to modify its products in order to improve its features. The reproduction on paper of products may result in a misrepresentation of some colors. Measurements are in cm and inches. For updated technical data please refer to our current price list or our website. For updates on etl  please visit our website or call our customer service. Etl  certification may be available on request when not listed. All products are CE certified.

Terzani srl

Via Castelpulci Int.9
50018 Firenze Italy
Ph +39 055 722021
F +39 055 7311161
info@terzani.com

Terzani Usa, Inc.

11470 Interchange
Circle North
Miramar, FL 33025
Ph 954 438 7779
F 954-438 7566
Toll free1 (866) 380-5412
info@terzaniusa.com

Creative Direction Terzani

Photos Leonardo Beglieri

Art Direction Camilla Cordella

Photo (pages 124/125) Riccardo Umato

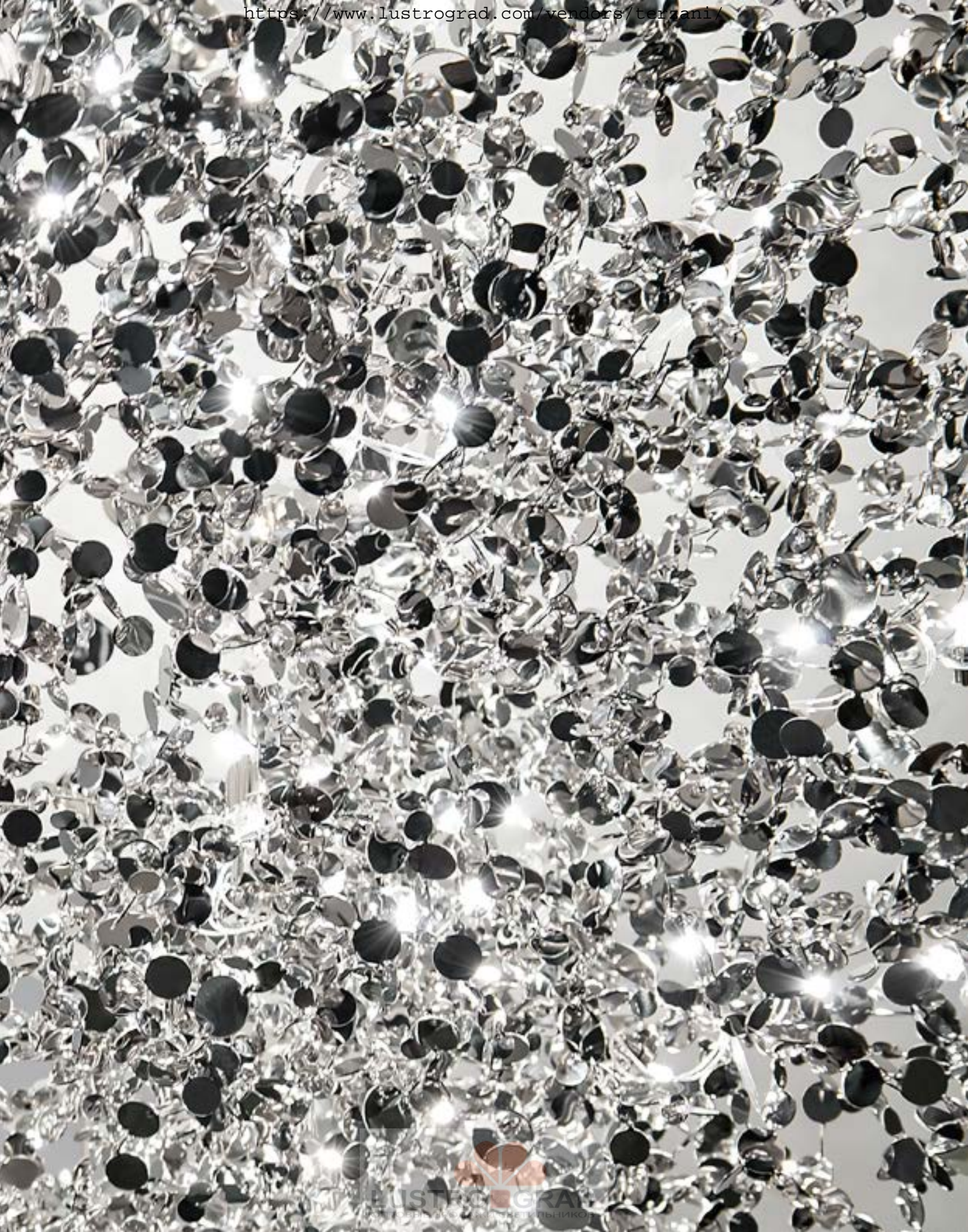
Digital imaging Art And Pixel

Eu (Italy) 2016

terzani.com

© terzani 2016





TERZANI
LA LUCE PENSATA

[terzani.com](https://www.terzani.com)

LUSTROGRAD
ОПТОВЫЕ ПРОДАЖИ СВЕТИЛЬНИКОВ